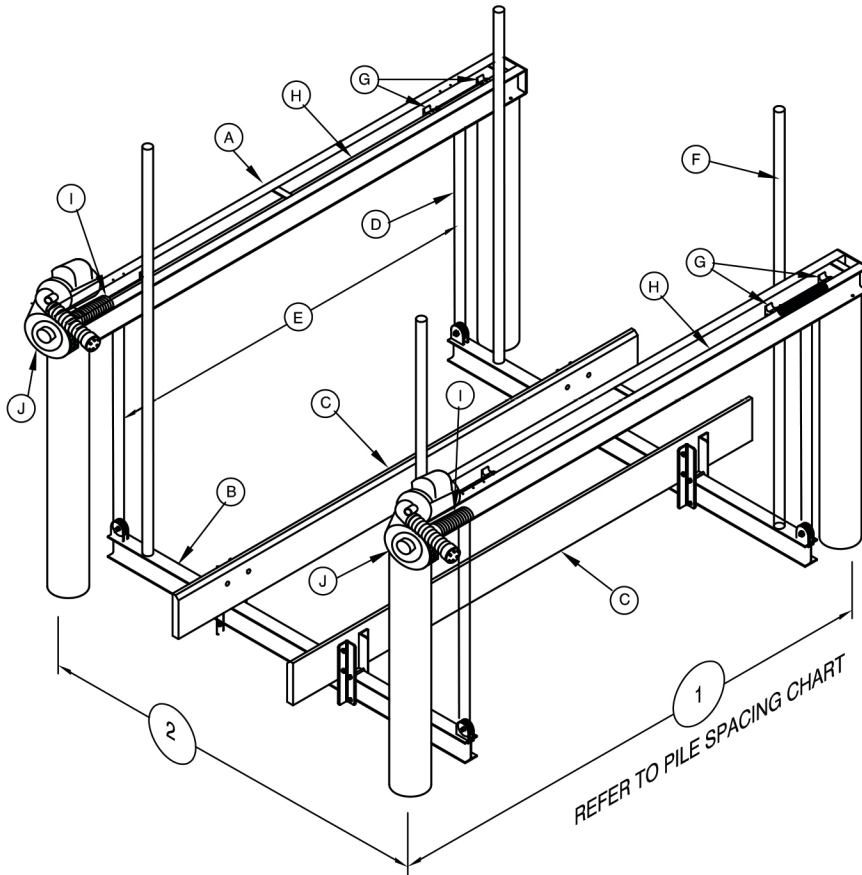


# GOLDEN ENGINEERED 4 POST, 2 MOTOR SEA DRIVE BOAT LIFTS



Double the Speed, Double the Strength.



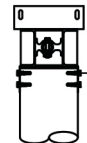
**PILE SPACING CHART**  
The boat center of gravity needs to be set in the center of the top beam

Lift Capacity	"1" Dimension		Recommended Pile Diameters
	Lb.	Ft.	
5,000	11	10	8
7,500		12	
10,000			
12,000	12	12.5	10
14,000			
16,000		14	
20,000			
24,000	16	16	12
28,000			

STAINLESS STEEL PILING MOUNT BRACKET - RECOMMENDED ATTACHMENT BASED ON BRACKET CONFIGURATION. VERIFY ADEQUACY BASED ON ACTUAL SITE CONDITIONS:  
4-3/8" STAINLESS STEEL LAG SCREWS USED TO CONNECT THE BRACKETS TO THE PILING AND 2-3/8" STAINLESS STEEL CARRIAGE BOLTS USED TO CONNECT THE BRACKETS TO THE LIFT CHANNELS

NOTE: THIS STRUCTURE HAS BEEN DESIGNED FOR LOADS ASSOCIATED WITH AN ULTIMATE WIND SPEED OF 180 MPH, EXPOSURE "D", RISK CATEGORY I, CALCULATED PER FLORIDA BUILDING CODE 8th EDITION, 2023, ASCE/SEI 7-22 AND ADM-2020. BOATS SHALL NOT BE STORED ON LIFTS DURING HIGH WIND EVENTS.

IN GENERAL, PILING PENETRATION TO BE A MINIMUM OF 10' INTO THE SAND BOTTOM OR 5' INTO THE ROCK STRATA. SUB-SURFACE CONDITIONS CAN VARY GREATLY, THE CONTRACTOR SHALL VERIFY ALL PILE CAPACITIES. ALL PILINGS TO BE 2.5 C.C.A. PRESSURE TREATED WOOD. ALL STRUCTURAL MEMBERS TO BE 6061-T6 ALUMINUM.



## SUMMARY OF DESIGN FEATURES

	(A)	(B)	(C)	(D)	(E)	(F)	(G)	(H)	(I)	(J)	
LIFT CAPACITY	TOP BEAM CHANNEL	CRADLE I-BEAM	BUNK	CABLE SIZE	CABLE SPREAD	GUIDE POST HGTH	BRGS	DRIVE SHAFT	WINDER DIA	MOTOR HP VOLTAGE	INCHES OF LIFT PER MIN
Lbs	INCHES	INCHES		INCHES	IN						
5,000#	4 H x .15 2 W x .23 141" OAL	6 H x .19 4 W x .29 120" LGTH	2x8x144 ROUGH	4 - 5/16" x15' ST ST 1 PART	107.75	80"	10 - 2" H.D. EXTRUDED 6061-T6 ALUMI.	1-15/16" DIA. SCH 40 GALV PIPE	3-1/2" DIA SCH 80 ALUM PIPE W/ CABLE GROOVES	2 - 3/4 HP 120V/20A 240V/10A	42" to 108"
7,500#	5 H x .15 2.25 W x .26 x 153" OAL	6 H x .19 4 W x .29 144" LGTH		4 - 5/16" x30' ST ST 2 PART	120.75					2 - 1 HP 120V/28A 240V/14A	20" to 108"
10,000#	6 H x .17 2.5 W x .29 x 153" OAL	8 H x .23 5 W x .35 150" LGTH		4 - 5/16" x45' ST ST 3 PART	116.75					2 - 3/4 HP 120V/20A 240V/10A	
12,000#	7 H x .17 2.75 W x .29 x 153" OAL	8 H x .25 5 W x .41 150" LGTH									
14,000#	7 H x .17 2.75 W x .29 x 153" OAL	8 H x .25 5 W x .41 150" LGTH	3x10x192 ROUGH	4 - 5/16" x45' ST ST 3 PART	127.75	120"	1-15/16" DIA. SCH 80 GALV PIPE	3-1/2" DIA SCH 80 ALUM PIPE W/ CABLE GROOVES	2 - 1 HP 120V/28A 240V/14A	21" to 54"	
16,000#	8 H x .19 3 W x .35 x 153" OAL	10 H x .25 6 W x .41 168" LGTH			151.75						
20,000#	8 H x .25 3.75 W x .41 x 177" OAL	10 H x .25 6 W x .41 192" LGTH		4 - 5/16" x60' ST ST 4 PART	150.3125				2 - 1-1/2 HP 120V/30A 240V/15A	14" to 54"	
24,000#	8 H x .25 3.75 W x .41 x 201" OAL	10 H x .29 6 W x .50 192" LGTH									
28,000#	10 H x .526 2.88 W x .437 x 206 OAL	12 H x .29 7 W x .47 192" LGTH									