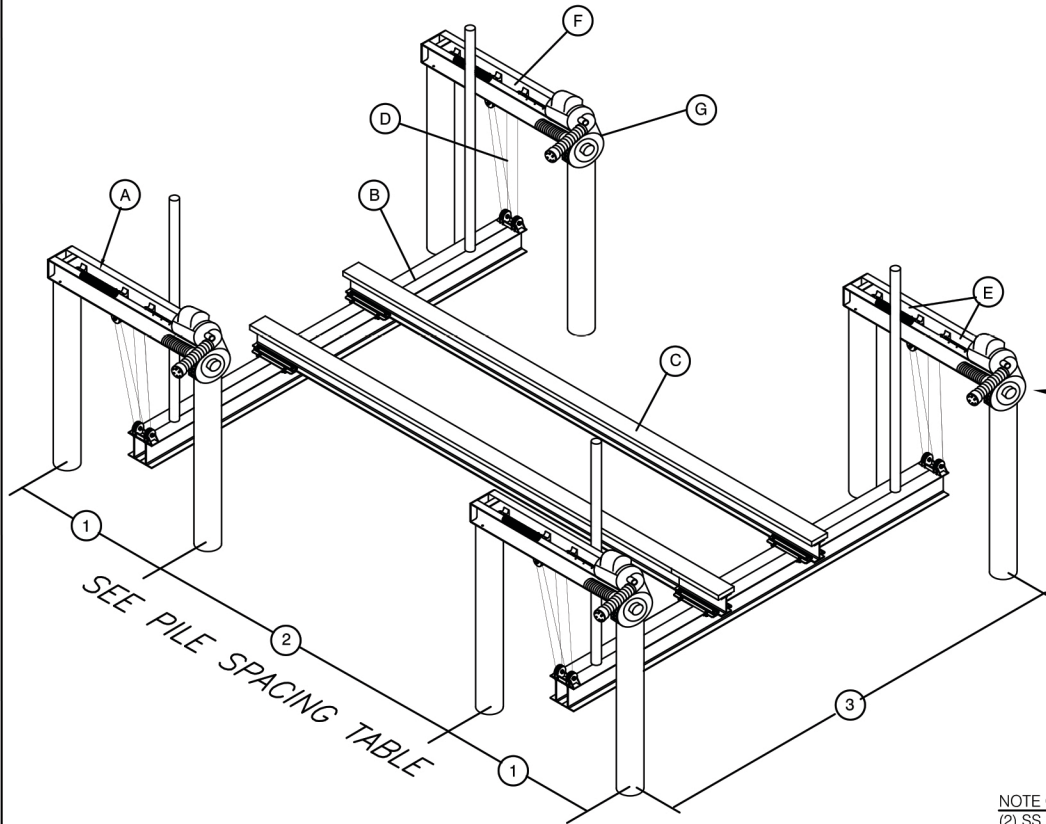


# GOLDEN ENGINEERED 8 POST, 4 MOTOR BOAT LIFTS



Double the Speed, Double the Strength.



STAINLESS STEEL PILING MOUNT BRACKET - DIMENSIONS VARY WITH APPLICATION

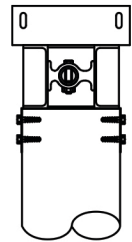
(2) 3/8" CARRIAGE BOLTS USED TO CONNECT THE BRACKETS TO THE LIFT BEAMS

NOTE WOOD PILES (SHOWN BELOW):  
(4) 1/2" DIA SS LAG SCREWS TO BE 4" LONG ON 32/40K LIFTS AND 6" LONG ON 56/60K LIFTS.

CARRIAGE BOLTS TO BE 1/2" DIA. AND LAG SCREWS TO BE 1/2" DIA X 6" LONG ON 80K LIFT

NOTE CONCRETE PILES (NOT SHOWN):  
(2) SS REDHEAD WITH 4" EMBED  
INSTALL AT 8" BELOW TOP OF PILE:

5/8" DIAMETER 32/40K LIFTS  
3/4" DIAMETER 56/60K LIFTS  
7/8" DIAMETER 80K LIFTS



PILE SPACING TABLE

LIFT CAPACITY	1	2	3	RECOMMENDED PILE SIZES
32,000#	72"	MIN. 72" MAX. 144"	192"	10"
40,000#			216"	
56,000#			240"	12"
60,000#				
80,000#				

NOTE: THIS STRUCTURE WILL WITHSTAND LOADS ASSOCIATED AN ULTIMATE WIND SPEED OF 180 MPH, EXPOSURE "D", CALCULATED PER FLORIDA BUILDING CODE 8th EDITION 2023 AND ASCE/SEI 7-22. BOATS SHALL NOT BE STORED ON LIFTS DURING HIGH WIND EVENTS IN GENERAL PILING PENETRATION TO BE 10' INTO THE SAND BOTTOM OR 5' INTO THE ROCK STRATA. SUBSURFACE CONDITIONS CAN VARY GREATLY, THE CONTRACTOR SHALL VERIFY ALL PILE CAPACITIES. PILINGS TO BE 2.5 C.C.A. TREATED.

LIFT CAPACITY	TOP BEAM		CRADLE I-BEAM	KEEL BEAM	CABLE SIZE	BRGS	WINDER	MOTOR HP	INCHES OF LIFT PER MIN
	Lb	Kg	Inches	Inches	Inches		Inches		
32,000	14,528	2 Each 8 H x .19 3 W x .35 Chan 6' O.C.	14 H x .30 8 W x .60 192" Long	I-Beam 6 x 10 x .41 x 25' Long w/Carpet Top	3-3 Part 3/8" St Steel Cables	10 - 2" H.D. 6061-T6 Alum Brgs	4-3-1/2"Dia Grooved Alum Winders	4 - 1 HP 120V/20A 240V/10A	22" to 40"
40,000	18,160	2 Each 8 H x .25 3-3/4 W x .41 Chan 6' O.C.	14 H x .30 8 W x .60 216" Long		3-3 Part 7/16" St Steel Cables				
56,000	25,454	2 Each 8 H x .25 5 W x .41 I-BM 6' O.C.	2 Double 12 H x .31 7 W x .62 240" Long	I-Beam 6 x 10 x .50 x 25' Long w/Carpet Top	4-4 Part 7/16" St Steel Cables				
60,000	27,240	2 Each 10 H x .25 6 W x .41 I-BM 6' O.C.	2 Triple 12 H x .31 7 W x .62 240" Long	2 Double 12 H x .31 7 W x .62 25' Long w/Carpet Top	4-4 Part 1/2" St Steel Cables	4 - 2 HP 120V/24A 240V/12A			