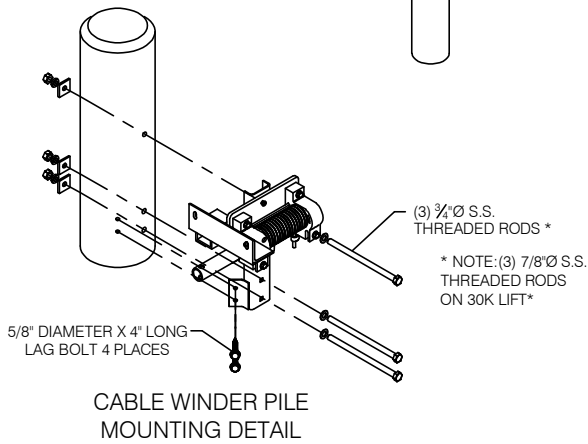
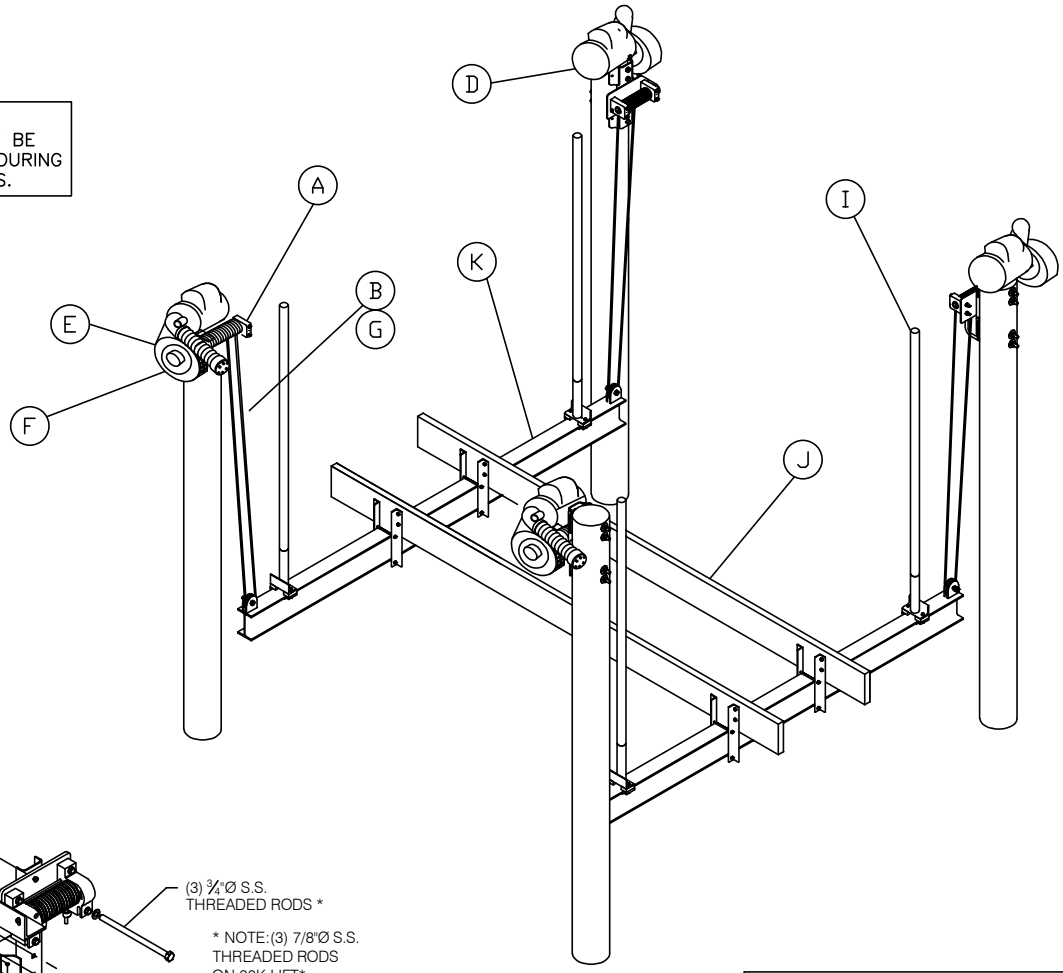


GOLDEN GATORVATOR 4 POST, 4 MOTOR LIFT

NOTE:
BOATS SHALL NOT BE STORED ON LIFT DURING HIGH WIND EVENTS.



NOTES:
IN GENERAL, PILING PENETRATION TO BE 10' INTO THE SAND BOTTOM OR 5' INTO THE ROCK STRATA. SUB-SURFACE CONDITIONS CAN VARY GREATLY, THE CONTRACTOR SHALL VERIFY ALL PILE CAPACITIES. ALL WOOD PILINGS TO BE 2.5 C.C.A. TREATED.

NOTE: THIS STRUCTURE HAS BEEN DESIGNED FOR LOADS ASSOCIATED WITH AN ULTIMATE WIND SPEED OF 180 MPH, EXPOSURE "D", RISK CATEGORY I, CALCULATED PER FLORIDA BUILDING CODE 7th EDITION, 2020, ASCE/SEI 7-16 AND ADM-2015. BOATS SHALL NOT BE STORED ON LIFTS DURING HIGH WIND EVENTS.

	(A)	(B)	(C)	(D)	(E)	(F)	(G)	(H)	(I)	(J)	(K)						
LIFT CAPACITY	NO. OF BRGS	CABLE CONFIG.	GROOVED WINDERS IN.	DRIVE SHAFT IN.	DRIVE	NO. OF MOTORS & H.P.	LIFTING CABLE IN.	LIFT PER MIN. /IN.	GUIDE POST HEIGHT IN.	BOAT BUNK IN.	CRADLE BEAM/" ¹ " BEAM SIZE IN.	Recomm. Min Piling Sizes IN.					
7,000	8	30' S.S. 2 PART	3 ϕ X 12"	1.905 O.D. 8 GA. GALV. STEEL PIPE	SEA DRIVE 8,000 IPT	(4) 3/4 HP	(4) .3125 ϕ	19"/MIN.	80"	2 x 8 X 144	6 x .21 H 4 x .35 W	144" LGTH	8" ϕ				
10,000											8 x .23 H 5 x .35 W	144" LGTH	10" ϕ				
14,000											8 x .25 H 5 x .41 W	144" LGTH					
16,000			3.5 ϕ X 12"	3.5 ϕ X 12"		3.5 O.D. SOLID ALUMINUM PIPE	(4) 1 HP			(4) .375 ϕ	120"	3 x 10 X 168	10 x .25 H 6 x .41 W	168" LGTH	12" ϕ		
20,000													3 x 10 192	10 x .25 H 6 x .41 W		192" LGTH	
24,000				6 x 10 BEAM 240		12 x .31 H 7 x .62 W						192" LGTH	(4) .4375 ϕ	6 x 10 BEAM 240		10 x .29 H 6 x .50 W	192" LGTH
30,000																12 x .31 H 7 x .62 W	192" LGTH