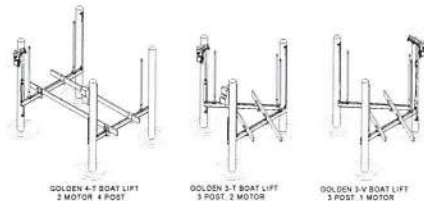
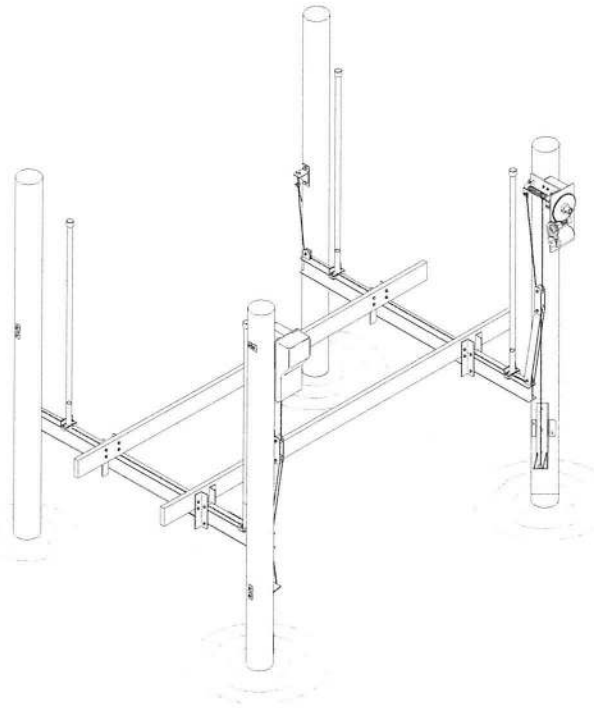


INSTALLATION INSTRUCTIONS

GOLDEN 4T, 4 POST LIFT



GOLDEN 4-T BOAT LIFT
 2 MOTOR 4 POST

GOLDEN 3-T BOAT LIFT
 3 POST 2 MOTOR

GOLDEN 3-V BOAT LIFT
 3 POST 1 MOTOR

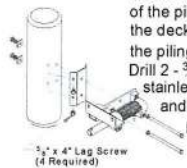


FUE 990008 002

INSTALLATION INSTRUCTIONS GOLDEN 4T, 4 POST, 2 MOTOR LIFT

Step 1/ Drilling for the Drive Spool

Position the spool assembly on the inboard side of the piling at a distance of from 4' to 6' above the deck. Mount the spool mount plate to the piling using $\frac{5}{8}$ " \times 4" lag screws. Drill 2 - $\frac{3}{4}$ " \varnothing holes thru the piling. Use $\frac{3}{4}$ " stainless steel or galvanized bolts, nuts and washers. Drill the bottom hole when plate is level. Repeat procedure for opposite winder.



Step 2/ Mounting the inside cable tie-off

Position the 24" cable tie-off 3' above the lowest point necessary to get the boat on and off at low tide. Drill $\frac{3}{4}$ " \varnothing hole for the stainless steel cable bracket. Place the cable tie-off on the piling and tighten. Drill the other holes and install remaining bolts. Tighten all bolts. Repeat on other motor piling.

NOTE: Twelve (12) stainless steel 2"x 2" backing plates supplied are to be used between the piling and the washer and nut to prevent the washer and nut from being drawn into the piling.



Step 3/ Drive Unit Assembly

Tap on the large pulley and align with the motor pulley. Tighten the Allen head set screws. Attach motor top holes to backing plate with short bolts provided. The longer bolts are for the bottom and are used for the attachment of the motor cover slide bracket. Place belt around both pulleys starting with the motor pulley.

IMPORTANT Be sure to check the rotation of the motors before operating the lift for the first time.

Bolt drive assembly to spool using pipe adaptor. Align holes and install $\frac{1}{2}$ " \varnothing bolt and tighten nut. Install the top $\frac{1}{2}$ " \varnothing \times 1 $\frac{1}{2}$ " stainless steel bolt and motor cover pin and tighten with pins in "up" position. Attach bottom motor cover bracket with stainless steel wing nuts provided.

Step 4/ Mounting the outside cable tie-off

Position the cable tie-off on the piling at a distance of 12" to 36" above the cradle beam when the cradle beam is at the highest point. Mark the hole locations with a pencil. Drill a $\frac{3}{4}$ " \varnothing hole in the top of the bracket. Follow same procedure as Step 2.

Step 5/ Attach the bunk boards

Drill $\frac{7}{16}$ " \varnothing holes in the carpet covered bunk boards and attach to the angled bunk supports with bolts and nuts supplied. Tighten all nuts and bolts.

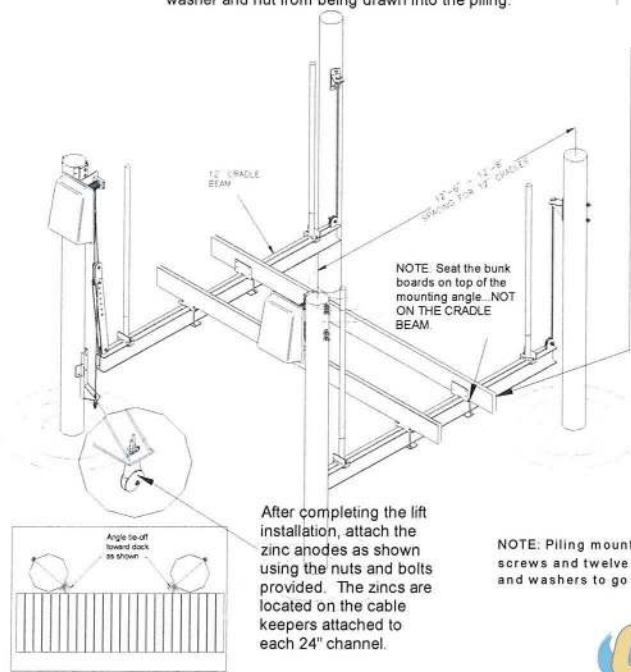
Grease all fittings on the lift and hoist. Place plastic covers over the drive units. Slide cover plate down and tighten the wing nuts. Place PVC pipes with caps over the galvanized pole.

You will also have to locate the center of the boat width and mark the cradle at that distance from the guide post base. This will be the distance to locate the center of the bunk board placement.

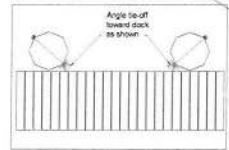
IMPORTANT Be sure when positioning the bunk boards that they are positioned so as not to come in contact with anything on the bottom of the boat. Then tighten down.

The lift is now ready for set up of the boat. **IMPORTANT** be sure the center of gravity of the boat is in the center of the lift before lifting. This is the position the boat should in at all times when lifting.

NOTE: Piling mount hardware is not included. Requires eight (8) $\frac{5}{8}$ " \times 4" lag screws and twelve (12) $\frac{3}{4}$ " \varnothing stainless steel or galvanized bolts, with nuts and washers to go thru piling and bracket.



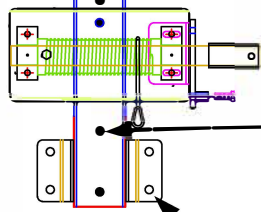
After completing the lift installation, attach the zinc anodes as shown using the nuts and bolts provided. The zincs are located on the cable keepers attached to each 24" channel.



TIE OFF LOCATION DETAIL

Golden Boat lift Gatorvator Four piling installation

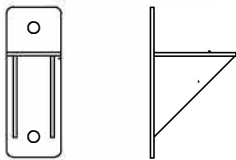
Drive Spool



Position the drive spool 4 to 6 feet above the dock on the inboard side of the piling.

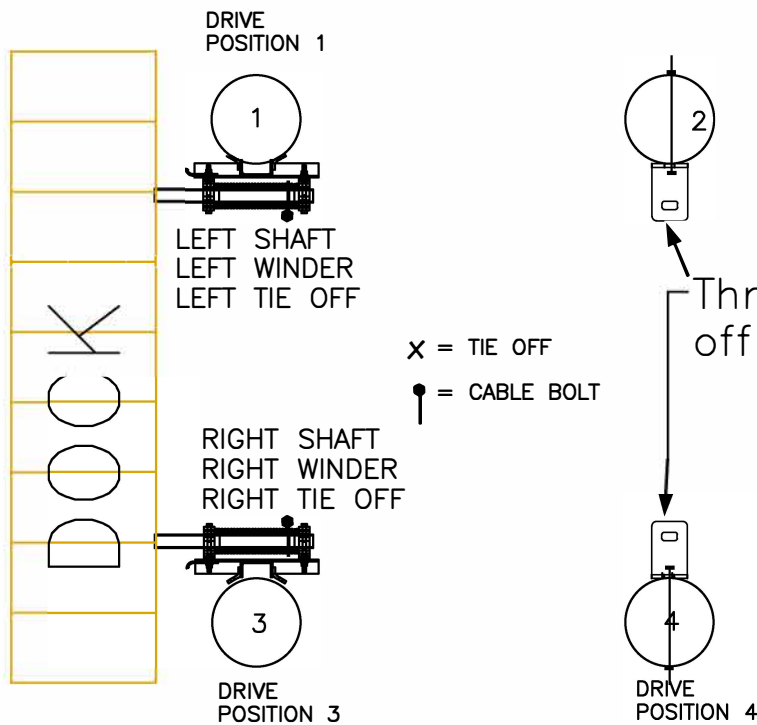
Mark the four holes and drill 3/4" diameter thru the piling. Using the threaded rod and backer plates, mount the Drive Spool on the piling.

upper tie-off bracket



Complete installation by installing lag screws on the side tabs.

Repeat for each spool.



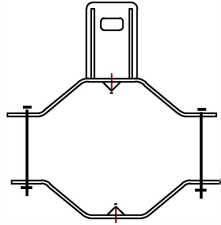
Thru bolt the upper tie-off brackets as shown.

Position the upper Tie Off brackets as shown one to three feet above the highest point the cradle beam can go. Thru bolt with 3/4" bolts and backer plates provided.

GOLDEN CONTACT
INFO

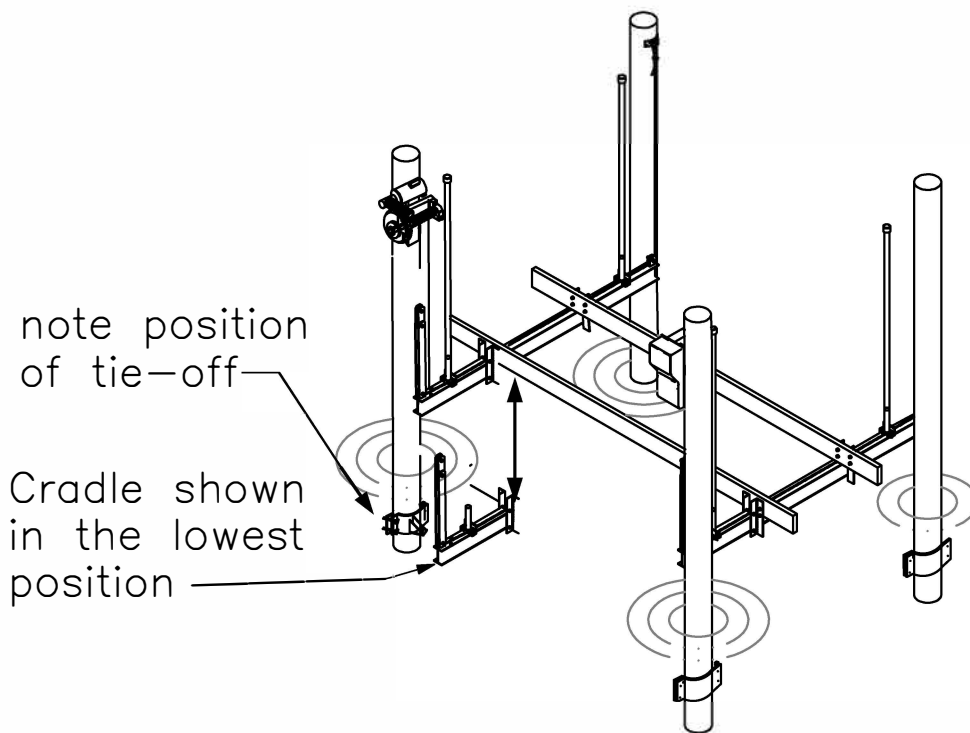
Golden Boat lift Gatorvator Four piling installation

lower cable
tie-off



Place the lower tie-off bracket directly below the drive spool and approximately 2 feet above the lowest cradle beam position. Drill $\frac{3}{4}$ " hole thru piling. Clamp bracket and backer plate with bolts provided and thru bolt with threaded rod. Tighten bolts driving wedge points into the piling.

Install so that at NO time will the upper arm pulley go even or below the lower tie off bracket.



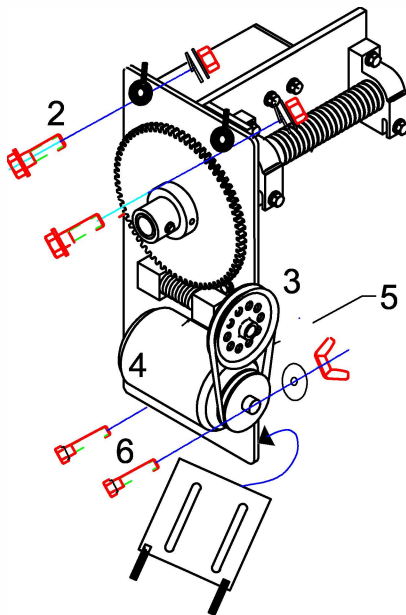
GOLDEN CONTACT
INFO

Golden Boat lift Gatorvator Four piling installation

Mounting Flat Plate Drive Head

If you ordered Flat Plate drives use this instruction set. Skip if you have Sea Drives

MOUNT FLAT PLATE DRIVE

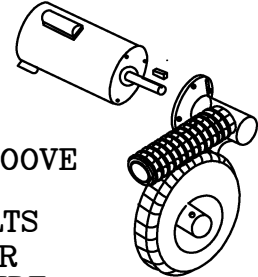


1. SLIDE THE FLAT PLATE OVER SHAFT AND SLEEVE, ALIGN HOLES AND SECURE WITH HARDENED BOLT AND LOCKING NUT
2. BOLT THE FLAT PLATE TO THE WINDER MOUNT ANGLE USE 1/2" X 1-1/4" BOLTS, NUTS, WASHERS AND PIN WASHER (SEE ILLUSTRATION)
3. INSTALL MOTOR TO BACKPLATE USING TOP HOLES AND SHORT CARRIAGE BOLTS (PROVIDED)
4. INSTALL LARGE V-BELT PULLEY ON THE WORM SHAFT AND ALIGN WITH MOTOR PULLEY
5. INSTALL V-BELT AROUND BOTH PULLEYS STARTING WITH THE MOTOR PULLEY.
6. INSTALL LONGER CARRIAGE BOLTS IN LOWER MOTOR MOUNTS USING WING NUTS AND SLIDING PIN PLATE.
7. VERIFY MOTOR DIRECTION. UP IS COUNTER CLOCKWISE ON THE LARGE DRIVE GEAR. SEE MOTOR WIRING INSTRUCTIONS TO REVERSE.

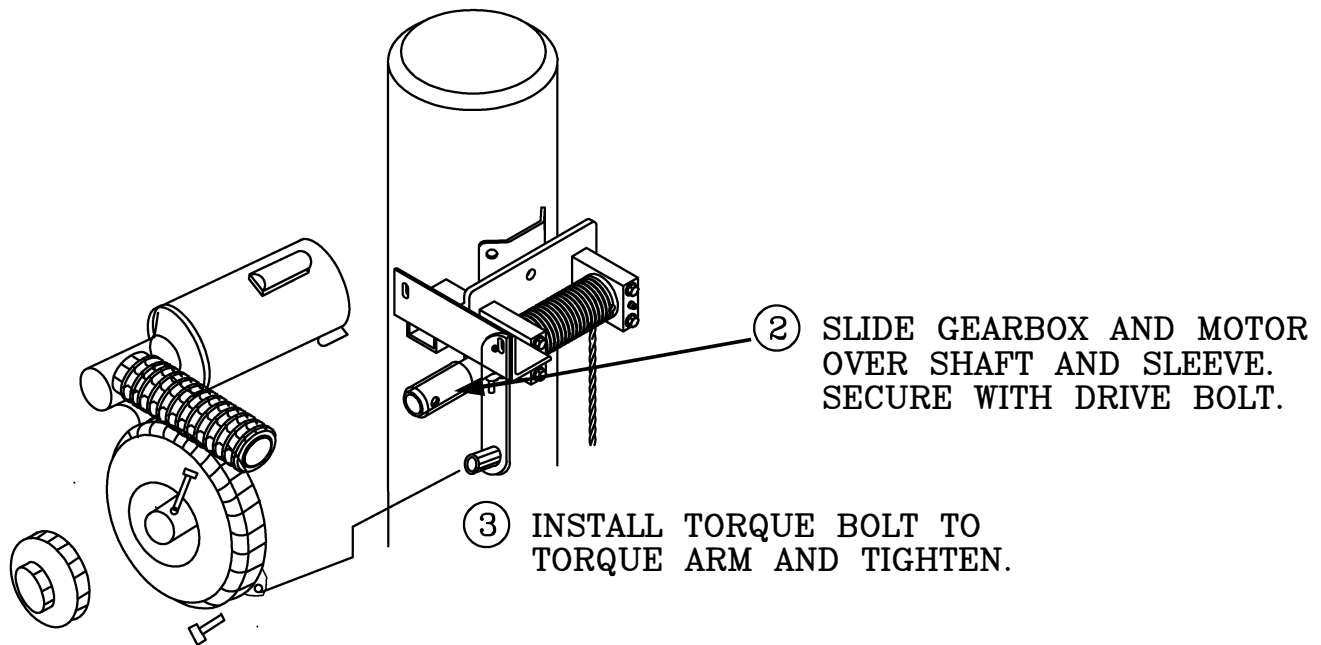
GOLDEN CONTACT
INFO

Golden Boat lift Gatorvator Four piling installation Mounting Sea Drive Head

If you ordered Sea drives use this instruction set.



- ① COAT THE MOTOR SHAFT WITH ANTI-SIEZE. PUT KEY INTO GROOVE SLIDE MOTOR INTO GEARBOX SECURE WITH (4) 1" LONG BOLTS CAUTION: DO NOT FORCE MOTOR INTO GEARBOX WITH BOLTS. SLIDE MOTOR FULLY INTO GEARBOX BY HAND.



- ② SLIDE GEARBOX AND MOTOR OVER SHAFT AND SLEEVE. SECURE WITH DRIVE BOLT.

- ③ INSTALL TORQUE BOLT TO TORQUE ARM AND TIGHTEN.

4. VERIFY MOTOR DIRECTION.
SEE MOTOR WIRING TO REVERSE
SWAP T5 AND T8 INSIDE THE MOTOR.

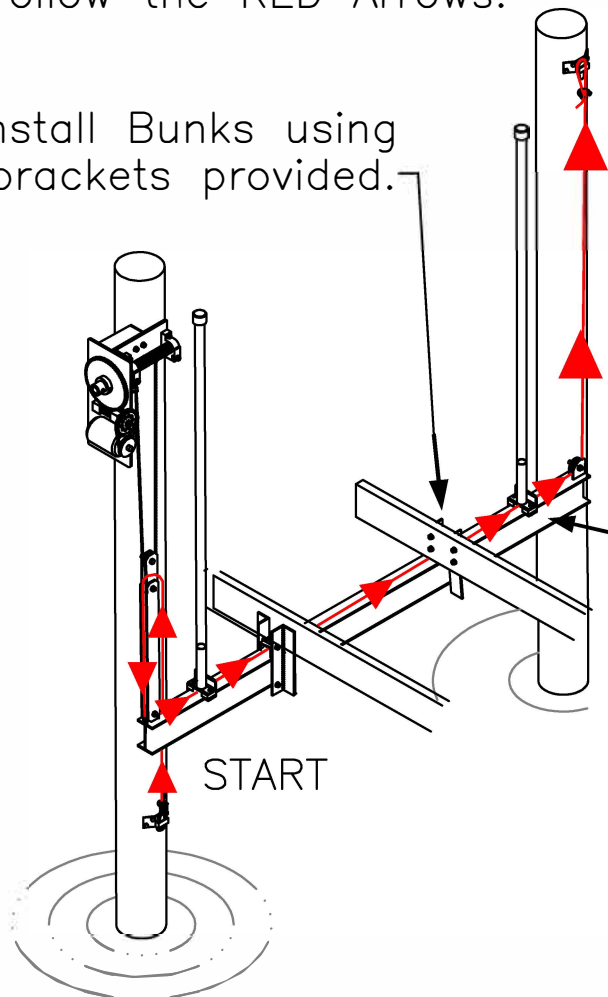
GOLDEN CONTACT
INFO

Golden Boat lift Gatorvator Four piling installation Installing the cradles and cable

1. Free the cable loop from the winder spool and loop it thru the top pulley by removing the pulley bolt, drop the loop between plates and replace pulley and bolt. Repeat for second head.
2. String the Zee cable from the lower Tie-Off up and over the middle pulley, down and under the cradle pulley, across the cradle beam under the guide poles and bunk supports. Feed the cable thru the upper clamp and secure with cable Becket.

② Follow the RED Arrows.

3. Install Bunks using brackets provided.



4. INSTALL THE GUIDE POLE BASE USING ZEE TAB CLIPS TO I-BEAM FLANGE AND BOLTS PROVIDED.

Golden Boat lift Gatorvator Four piling installation Bunking The Boat

The weight of your boat must be equally distributed on the beams to ensure your safety, the boat hull and the longevity of the lift.

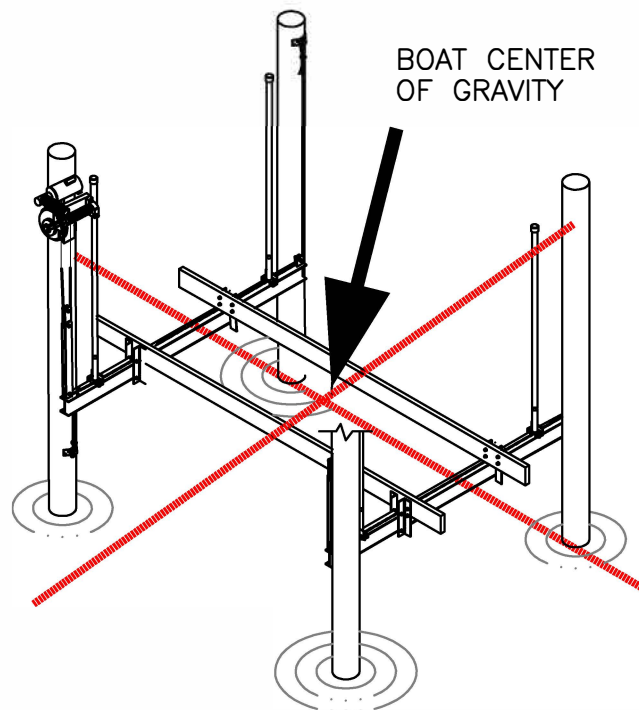
always place the center of Gravity of your boat directly in the CENTER of the lifting beams.

Adjust the cradle beams to support the hull completely without interfering with any thru hull fittings or features.

Lift the boat a little but not out of the water and inspect the hull support on the bunks in the water. Make any adjustments required. Tighten all hardware. Partially lift the boat again and inspect the hull. When the hull is properly supported and verified only then is it safe to lift the boat.

Adjust the guide poles to fit the hull, they center the boat above the cradle system.

Center of Gravity of your boat as a rule of thumb is about $1/3$ distance from the stern and $2/3$ distance from the bow. Your boat manufacturer can tell you the exact location. In the illustration below depicting the lift center equal distance side to side and front to back.





Dear Customer:

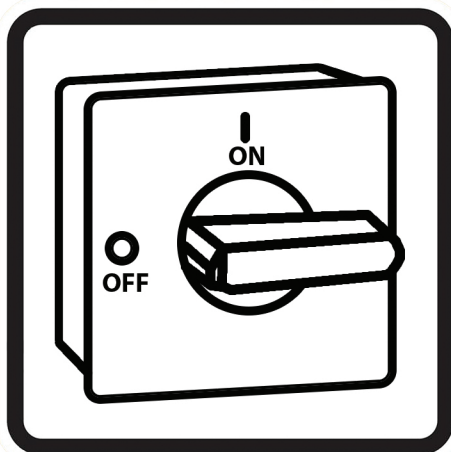
All Elevator Lifts are required to be equipped with one of two electrical safety features in order to prevent damage from electrolysis. You must have either a **4-Pole Disconnect Switch** installed and in the **OFF** position while your boat lift is not in use **OR** a **Removable Power Plug** must be installed and **UNPLUGGED** while lift is not in use. Failure to have either of these devices installed by a licensed electrician may result in corrosion or deterioration of the aluminum track I-beams as well as **VOID** of Warranty. Golden Boat Lifts and their Representatives will not be held liable for damage or failure due to mis installation or oversight of either of the required devices.

Sign: _____

Date: _____

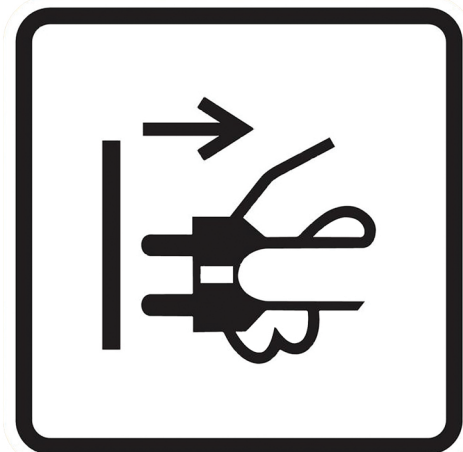
By signing, I have read, understand, & agree to the requirements listed above

4-Pole Disconnect



**4-Pole Disconnect installed
& in off position when Boat
Lift not in use**

Power Plug



**Disconnect plug when Boat
Lift not in use**

FAX: 239-337-4482