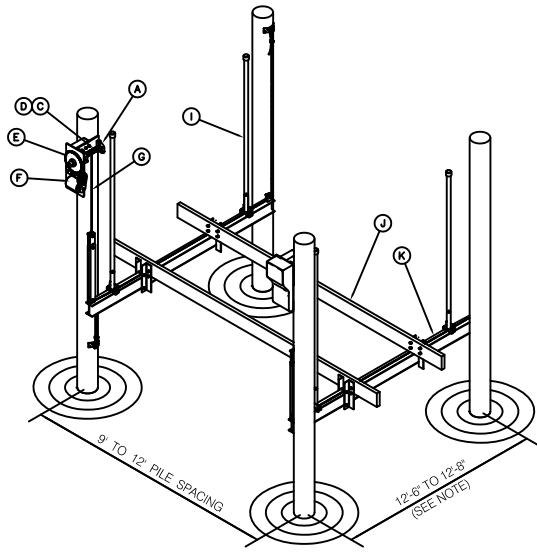


GOLDEN 4-T BOAT LIFT, 4 POST

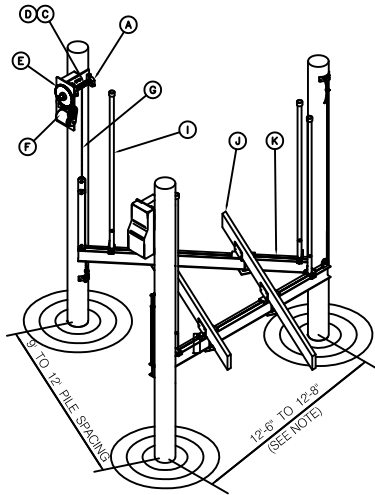


(A) (B) (C) (D) (E) (F) (G) (H) (I) (J) (K)

LIFT CAPACITY LBS.	NO. OF BRGS	CABLE CONFIG.	GROOVED WINDERS	DRIVE SHAFT SIZE INCHES	FLAT PLAT DRIVE RATIO	NO. OF MOTORS & H.P.	LIFTING CABLE	INCHES OF LIFT PER MIN.	GUIDE POST HGTH	BOAT BUNK INCHES	CRDL BM/ # BM SIZE
7,000	4	2 PART	3.5 Ø X 8"	1.93 Ø SCH 80 PIPE	96:1	(2) 3/4 HP	(2) .31Ø	16" / MIN 2 PART	80"	144"	6x.21 H 4x.35 W 144" LGTH
10,000			3.5 Ø X 10"			(2) 1 HP	(2) .38Ø				8x.23 H 5x.35 W 144" LGTH
14,000			3.5 Ø X 12"			(2) 1.5 HP	(2) .43Ø				8x.25 H 5x.41 W 144" LGTH
16,000			3.5 Ø X 14"			(2) 1.5 HP	(2) .50Ø				6x.41 W 144" LGTH

NOTE: Cradle lengths to be 6" to 8" shorter than the center to center measurement of the pilings.

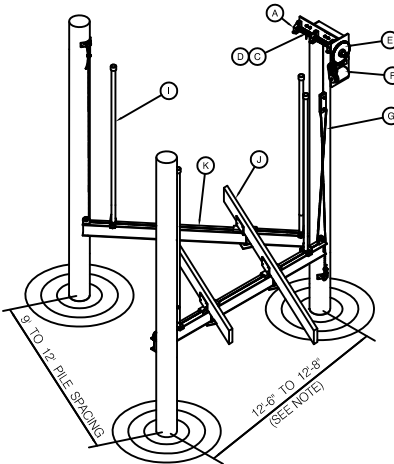
GOLDEN 3-T BOAT LIFT, 3 POST, 2 MOTOR



(A) (B) (C) (D) (E) (F) (G) (H) (I) (J) (K)

LIFT CAPACITY LBS.	NO. OF BRGS	CABLE CONFIG.	GROOVED WINDERS	DRIVE SHAFT SIZE INCHES	FLAT PLAT DRIVE RATIO	NO. OF MOTORS & H.P.	LIFTING CABLE	INCHES OF LIFT PER MIN.	GUIDE POST HGTH	BOAT BUNK INCHES	CRDL BM/ # BM SIZE
7,000	4	2 PART	3.5 Ø X 8"	1.93 Ø SCH 80 PIPE	96:1	(2) 3/4 HP	(2) .31Ø	16" / MIN 2 PART	80"	144"	6x.21 H 4x.35 W 144" LGTH
10,000			3.5 Ø X 10"			(2) 1 HP	(2) .38Ø				8x.23 H 5x.35 W 144" LGTH
14,000			3.5 Ø X 12"			(2) 1.5 HP	(2) .43Ø				8x.25 H 5x.41 W 144" LGTH

GOLDEN 3-V BOAT LIFT, 3 POST, 1 MOTOR

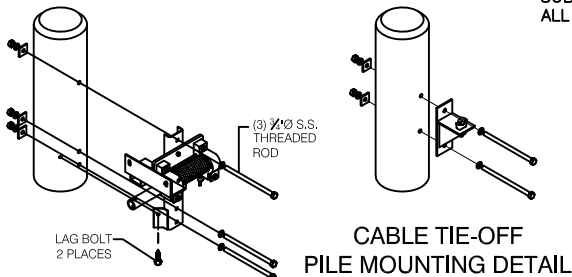


(A) (B) (C) (D) (E) (F) (G) (H) (I) (J) (K)

LIFT CAPACITY LBS.	NO. OF BRGS	CABLE CONFIG.	GROOVED WINDERS	DRIVE SHAFT SIZE INCHES	FLAT PLAT DRIVE RATIO	NO. OF MOTORS & H.P.	LIFTING CABLE	INCHES OF LIFT PER MIN.	GUIDE POST HGTH	BOAT BUNK INCHES	CRDL BM/ # BM SIZE
2,000	4	1 PART	3.5 Ø X 8"	1.93 Ø SCH 80 PIPE	96:1	(1) 3/4 HP	(2) .25Ø	33" / MIN 1 PART	80"	144"	6x.19 H 4x.29 W 144" LGTH
4,000		2 PART	3.5 Ø X 8"			(2) 3/4 HP	(2) .31Ø	16" / MIN 2 PART			14" LGTH

NOTE: THESE STRUCTURES WILL WITHSTAND WIND LOADS ASSOCIATED WITH AN ULTIMATE WIND SPEED OF 180 MPH, EXPOSURE D, RISK CATEGORY I CALCULATED PER F.B.C. 2020 ADM 2015 AND ASCE/SEI 7-16. BOATS SHALL NOT BE STORED ON LIFT DURING HIGH WIND EVENTS.

IN GENERAL, PILING PENETRATION TO BE 10' INTO THE SAND BOTTOM OR 5' INTO THE ROCK STRATA. SUB-SURFACE CONDITIONS CAN VARY GREATLY, THE CONTRACTOR SHALL VERIFY ALL PILE CAPACITIES. ALL PILINGS TO BE 2.5 C.C.A. PRESSURE TREATED WOOD.



CABLE WINDER PILE MOUNTING DETAIL

CABLE TIE-OFF PILE MOUNTING DETAIL

Lift Capacity	Recomm.Min Piling Sizes
2,000#	8" Dia
4,000#	8" Dia
7,000#	8" Dia
10,000#	10" Dia
14,000#	10" Dia