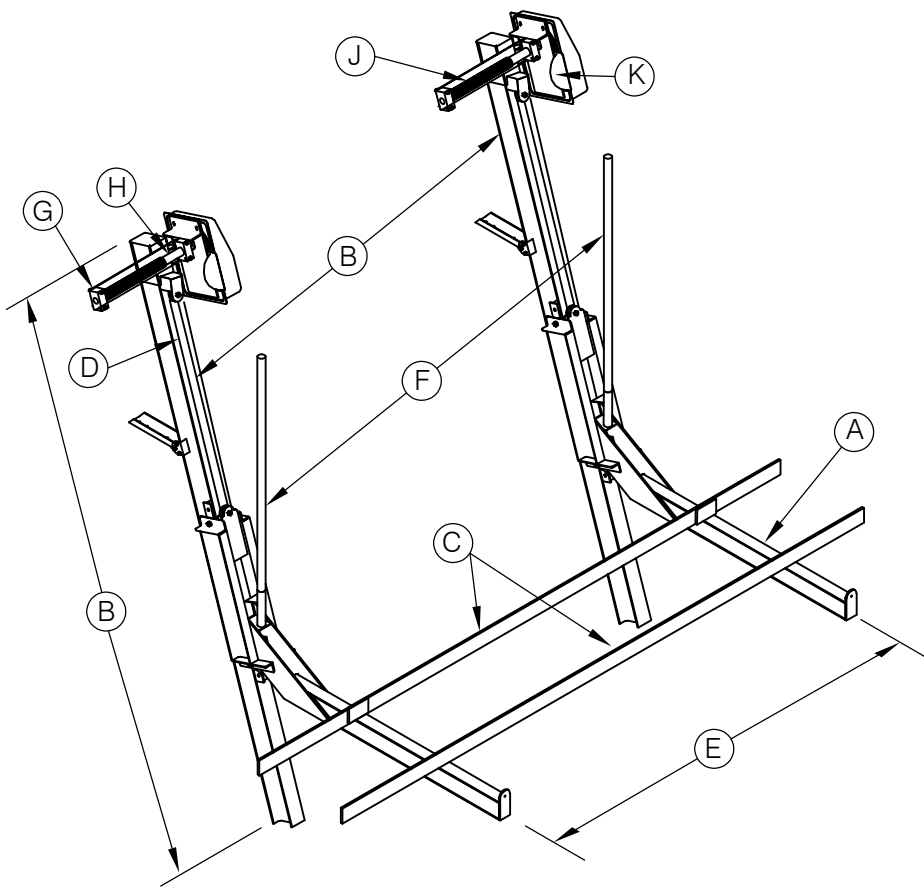
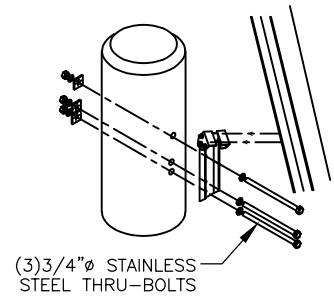


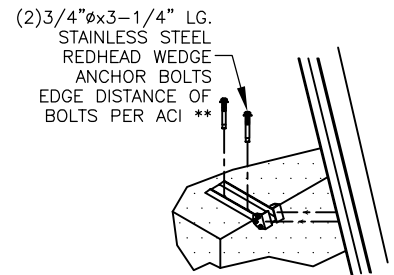
GOLDEN ENGINEERED EC ELEVATOR LIFT SPECIFICATIONS



INCLINE MOUNT OR VERTICAL MOUNT



TYPICAL VERTICAL CONNECTION TO WOOD PILE OR HORIZONTAL WOOD DECK FRAMING



** ON 40K LIFT USE
(2) 1" DIA. x 4-1/2" EMBED

TYPICAL HORIZONTAL CONNECTION TO REINFORCED CONCRETE DOCK OR SEAWALL

NOTE: THIS STRUCTURE HAS BEEN DESIGNED FOR LOADS ASSOCIATED WITH WIND SPEEDS OF 180 MPH CALCULATED PER FLORIDA BUILDING CODE 2020, ASCE 7-16 AND ADM-2015.
BOATS SHALL NOT BE STORED ON LIFTS DURING HIGH WIND EVENTS.

	(A)	(B)	(C)	(D)	(E)	(F)	(G)	(H)	(J)	(K)		
LIFT CAPACITY	CRADLE & TRACK I-BEAM	TROLLEY CHANNEL	BUNK BOARDS FEET	STAINLESS STEEL LIFT CABLE	TRACK SPREAD	GUIDE POST HEIGHT	BRGS	DRIVE SHAFT	WINDER DIA	GEAR RATIO	MOTOR HP/VOLTAGE	INCHES OF LIFT PER MIN.
3,000 #	6 H x .19 4 W x .29 7' O.A.L.	7 H x .17 2.75 W x .29	2 - 2 x 8 x 144 ROUGH SAWN & CARPETED	1/4" \emptyset 2 PART	7' THRU 10'	80"	(4) 1.5" EXTRUDED 6061-T6 ALUM.	1-1/2" \emptyset SCHEDULE 40 ALUM. PIPE	3-1/2" \emptyset SCHEDULE 80 ALUM. PIPE	48 : 1	(2) 3/4 HP 120V/20A 240V/10A	27"
6,000 #	7 H x .23 4.5 W x .38 7' O.A.L.	7 H x .21 3.5 W x .38		5/16" \emptyset 2 PART							(2) 3/4 HP 120V/20A 240V/10A	
9,000 #	8 H x .25 5 W x .41 7' O.A.L.	8 H x .25 3.25 W x .41								96 : 1	(2) 3/4 HP 120V/20A 240V/10A	13.5"