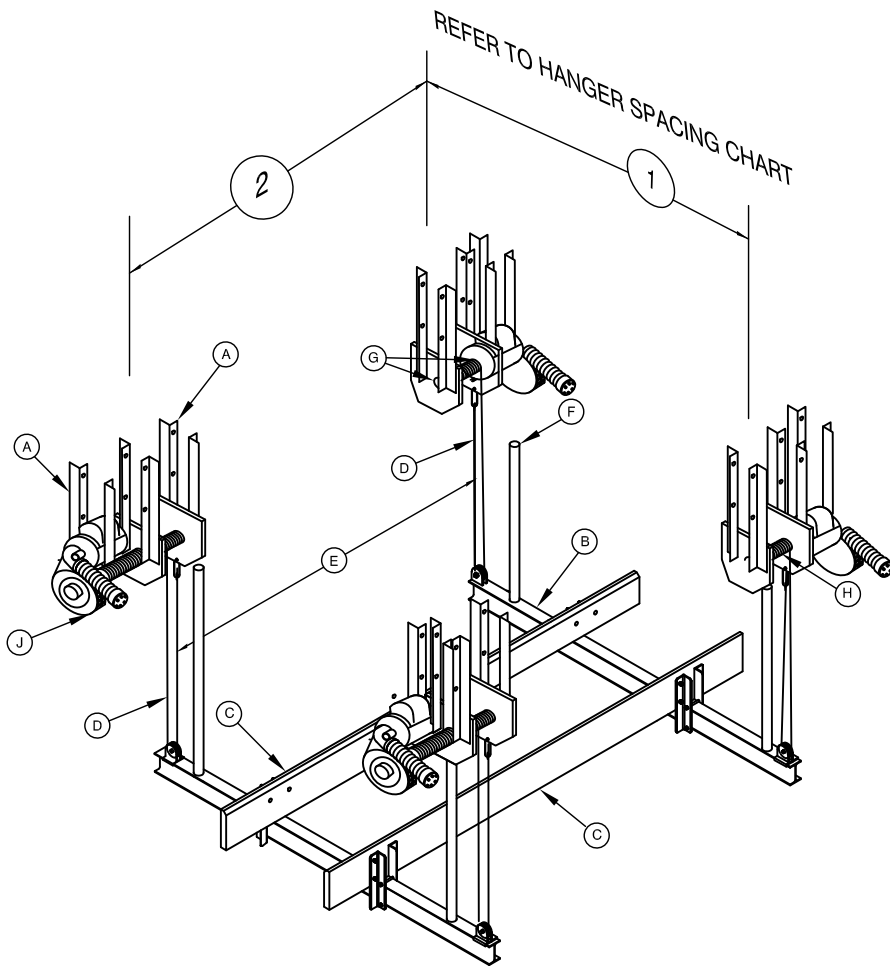
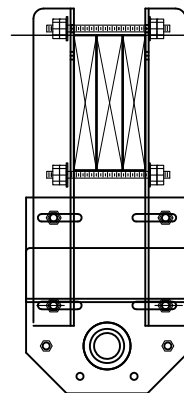


GOLDEN ENGINEERED 4 MOTOR SEA DRIVE BOAT HOUSE LIFTS



6061-T6 ALUMINUM HANGER MOUNT BRACKETS- RECOMMENDED ATTACHMENT BASED ON BRACKET CONFIGURATION. VERIFY ADEQUACY BASED ON ACTUAL SITE CONDITIONS:

4-1/2" STAINLESS STEEL THRU BOLTS USED TO CONNECT THE BRACKETS TO THE SUPPORT BEAM AND 4-1/2" STAINLESS STEEL THRU BOLTS USED TO CONNECT THE BRACKETS TO THE DRIVE PLATES. SUPPORT BEAM DESIGN BY OTHERS.



HANGER SPACING CHART

The Boat Center of Gravity is to be Centered between Cradle Beams

Lift Capacity	*1" Dimension	*2" Dimension	Recommended Bolt Diameters
	Lb.	In.	
20,000	192	127.75	1/2
24,000		151.75	

NOTE: THIS STRUCTURE HAS BEEN DESIGNED FOR LOADS ASSOCIATED WITH AN ULTIMATE WIND SPEED OF 180 MPH, EXPOSURE "D", RISK CATEGORY I, CALCULATED PER FLORIDA BUILDING CODE 7th EDITION, 2020, ASCE/SEI 7-16 AND ADM-2015. BOATS SHALL NOT BE STORED ON LIFTS DURING HIGH WIND EVENTS.

IN GENERAL, THE HANGERS SHALL BE ATTACHED TO A SITE SPECIFIC SUPPORT BEAM STRUCTURE (DESIGN BY OTHERS). THE CONTRACTOR SHALL VERIFY ALL BEAM CAPACITIES. ALL BEAMS TO BE #2 SYP PRESSURE TREATED WOOD AS A MINIMUM. ALL STRUCTURAL MEMBERS TO BE 6061-T6 ALUMINUM UNO.

SUMMARY OF DESIGN FEATURES

LIFT CAPACITY	TOP BEAM / MOTOR HANGER ASSY. 4 EACH	CRADLE I-BEAM 2 EACH	BUNK BOARDS (PT) INCHES	CABLE SIZE	CABLE SPREAD	GUIDE POST HEIGHT	BRGS	WINDER DIA	MOTOR HP VOLTAGE	INCHES OF LIFT PER MIN	RECOM HANGER BOLT SIZE
				INCHES	IN						
20,000#	SUPPORT ARMS 23.5 H x 3 X 3 X 1/4"	10 H x .25 6 W x .41 192" LGTH	3 x 10 X 192 ROUGH SAWN CARPETED	(4) - 7/16" x 40" 40' STAINLESS STEEL 2 PART	127.75	80"	8-UT-210-31-80	3.5" DIAMETER ALUMINUM PIPE WITH CABLE GROOVES	(2) - 1 HP 120V/28A 240V/14A	19.85"	(4) 1/2" DIA PER LIFT LOCATION
24,000#	DRIVE PLATES 14.5 H x 12 X 3/4"	10 H x .29 6 W x .50 192" LGTH		(4) - 1/2" x 40" 40' STAINLESS STEEL 2 PART	151.75						