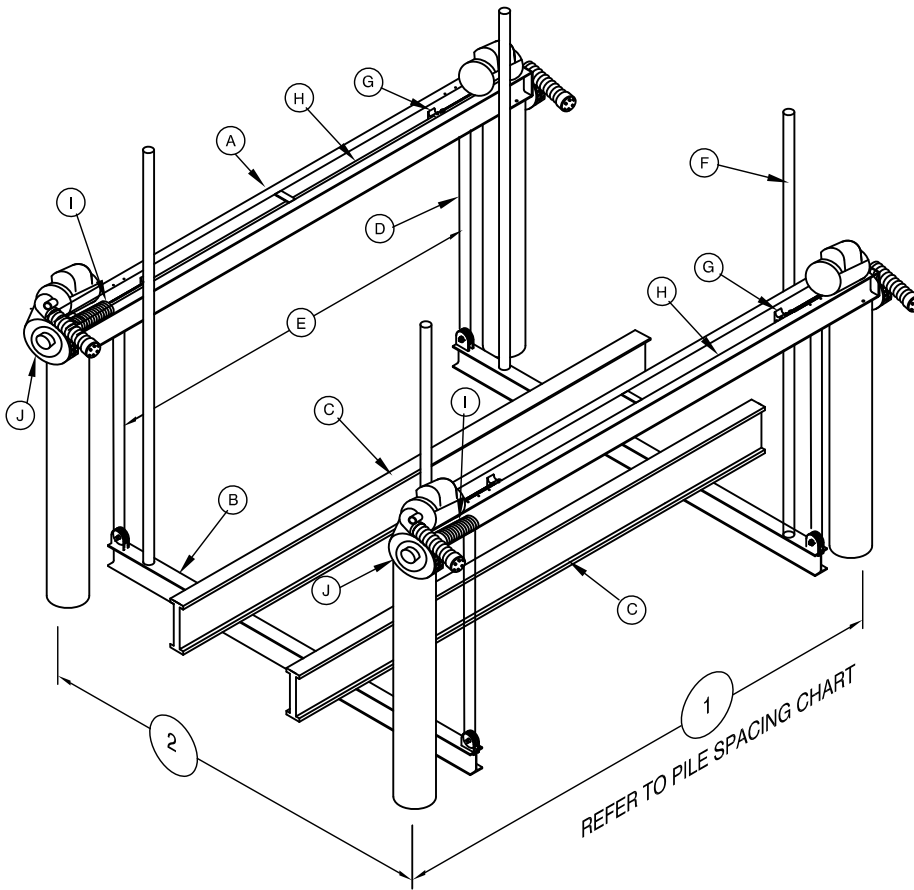
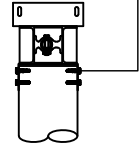


# GOLDEN ENGINEERED 4 POST, 4 MOTOR SEA DRIVE BOAT LIFTS



STAINLESS STEEL PILING MOUNT BRACKET - RECOMMENDED ATTACHMENT BASED ON BRACKET CONFIGURATION. VERIFY ADEQUACY BASED ON ACTUAL SITE CONDITIONS:  
 4-3/8" STAINLESS STEEL LAG SCREWS USED TO CONNECT THE BRACKETS TO THE PILING AND 2-3/8" STAINLESS STEEL CARRIAGE BOLTS USED TO CONNECT THE BRACKETS TO THE LIFT CHANNELS



**PILE SPACING CHART**  
 The boat center of gravity needs to be set in the center of the top beam

Lift Capacity	*1" Dimension	*2" Dimension	Recommended Pile Diameters
Lb.	Ft.	Ft.	In.
32,000	16	16	12
40,000	16	18	12
56,000	18	20	12

NOTE: THIS STRUCTURE HAS BEEN DESIGNED FOR LOADS ASSOCIATED WITH AN ULTIMATE WIND SPEED OF 180 MPH, EXPOSURE "D", RISK CATEGORY I. CALCULATED PER FLORIDA BUILDING CODE 2020, ASCE/SEI 7-16 AND ADM-2015. BOATS SHALL NOT BE STORED ON LIFTS DURING HIGH WIND EVENTS.

IN GENERAL, PILING PENETRATION TO BE A MINIMUM OF 10' INTO THE SAND BOTTOM OR 5' INTO THE ROCK STRATA. SUB-SURFACE CONDITIONS CAN VARY GREATLY, THE CONTRACTOR SHALL VERIFY ALL PILING CAPACITIES. ALL PILING TO BE 2.5 C.C.A. PRESSURE TREATED WOOD. ALL STRUCTURAL MEMBERS TO BE 6061-T6 ALUMINUM.

## SUMMARY OF DESIGN FEATURES

LIFT CAPACITY	(A)	(B)	(C)	(D)	(E)	(F)	(G)	(H)	(I)	(J)	INCHES OF LIFT PER MIN	RECOM PILING SIZES
	Lbs	TOP BEAM CHANNEL 2 EACH INCHES	CRADLE I-BEAM 2 EACH INCHES	BUNK BOARDS (AL)	CABLE SIZE INCHES	CABLE SPREAD IN	GUIDE POST HEIGHT IN	BEARINGS	DRIVE SHAFT	WINDER DIA		
32,000#	C10 x 8.64 LB/FT 10 H x .526 2.88 W x .437 x 206 OAL	2 Double 10 H x .25 6 W x .41 192" Long	10 x 6 x 25" ALUM CARPETED	4- 5/16" x60" ST ST 4 PART	134"	120"	10 - 2" H.D. EXTRUDED 6061-T6 ALUM.	1-15/16" DIA. SCH 80 GALV PIPE	3-1/2" DIA SCH 80 ALUM PIPE W/ CABLE GROOVES	4 - 1-1/2 HP 120V/20A 240V/10A	9.90"	12" DIA
40,000#	C10 x 8.64 LB/FT 10 H x .526 2.88 W x .437 x 206 OAL	2 Double 10 H x .29 6 W x .50 216" Long		4- 3/8" x60" ST ST 4 PART	134"	120"	10 - 2" H.D. EXTRUDED 6061-T6 ALUM.			4 - 1-1/2 HP 120V/20A 240V/10A	9.90"	12" DIA
56,000#	C10 x 8.64 LB/FT 10 H x .526 2.88 W x .437 x 230 OAL	2 Double 12 H x .31 7 W x .62 240" Long		4- 7/16" x60" ST ST 4 PART	158"	120"	10 - 2" H.D. EXTRUDED 6061-T6 ALUM.			4 - 1-1/2 HP 120V/20A 240V/10A	9.90"	12" DIA