



RESIDENTIAL DOCKS



FOLLOW US

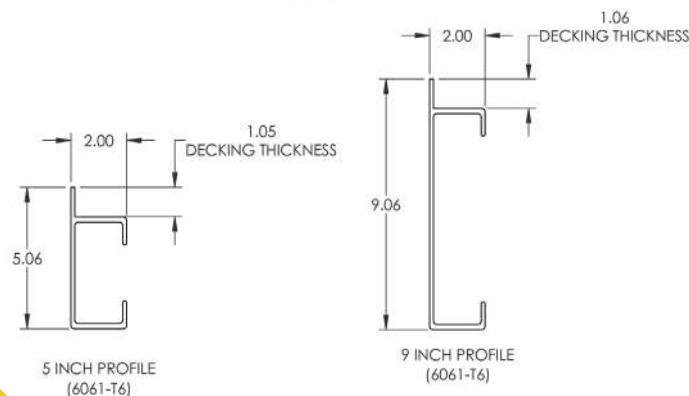
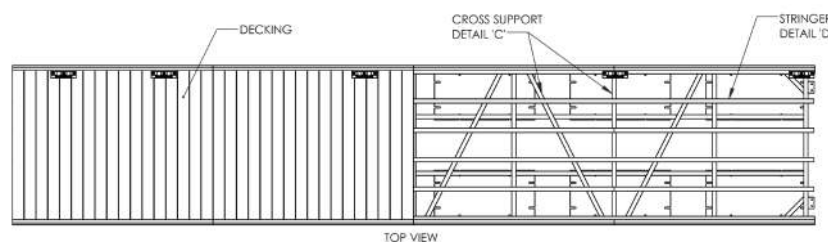


GOLDEN RESIDENTIAL DOCKS: THE IDEAL SOLUTION FOR YOUR RESIDENTIAL DOCK PROJECT

We have over 35 years of experience in the design, engineering, and manufacturing of docks and gangways. Our in-house expertise of industry professionals will assure that your project is correctly designed and manufactured to fit the specific use and conditions criteria necessary to deliver a first in class durable product. Our highly trained and certified Design and Engineering professionals combine an emphasis on creativity, technology and design methodology to develop detailed designs and innovations. We work closely with clients and engineering firms to ensure proper specification practicality and system functionality. Our team of professionals strives to continually set newer and higher standards industrywide.

FEATURES

- 1) Various decking options available
- 2) Commercial grade quality, designed for residential environments
- 3) Dock sections are connected with 80 durometer urethane blocks
- 4) Utilizes 6061-T6 E-channel extrusion and 300 series stainless steel hardware



Composite Decking & Fascia



Pile Hoops



S-Cleat



Golden is ISO Certified and follows the guidelines of the ISO 9001 standard.

Scan the QR code for warranty information

