



# Elevator Boat Lift



FOLLOW US



# ELEVATOR LIFT: PUTTING BOATS WHEREVER THEY CAN FIT

Golden's Elevator lifts can be installed on seawalls or pilings in locations with limited space and clearance. The elevator capacities ranges from 3,000lbs to 40,000lbs and larger capacities available upon request. Our elevator lifts come standard with Golden Sea-Drive® and stainless-steel motors and offer innovative patented features and design. The elevator lifts are made from 6061-T6 marine grade aluminum and 300 series stainless steel hardware. Golden Boat Lifts® are backed by the best warranty in the industry.

## Elevator Lift Capacity

### Single Track

3,000 - 5,000lbs  
5,000 - 10,000lbs  
10,000 - 15,000lbs  
15,000 - 20,000lbs  
20,000 - 30,000lbs  
30,000 - 40,000lbs

### Dual Track

3,000 - 7,000lbs  
10,000 - 15,000lbs  
17,000 - 20,000lbs  
15,000 - 20,000lbs

### Four Track

24,000 - 40,000lb

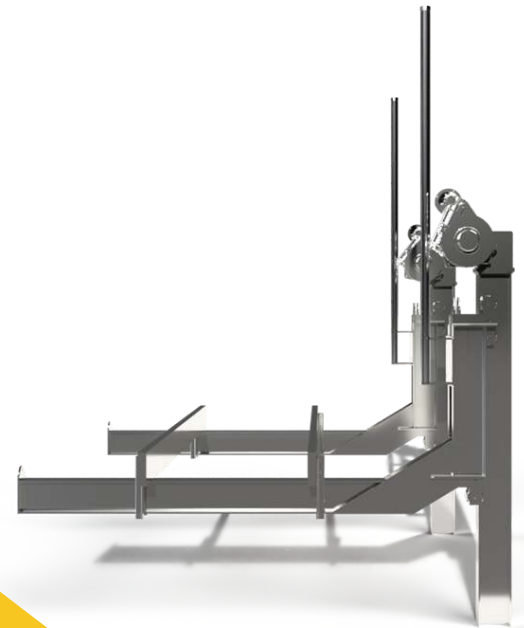
Larger Sizes Available Upon Request

## FEATURES

- 1) Patented Golden Sea-Drive® with 10 year warranty
- 2) Stainless steel motors
- 3) Sacrificial zinc anodes
- 4) 3.5" Solid aluminum grooved winders
- 5) Solid aluminum billet bearing blocks
- 6) Lexan winder covers and elevator head corner bumpers
- 7) Stainless steel cables
- 8) Fully welded aluminum structure on all non-adjustable parts
- 9) 6061-T6 marine grade aluminum
- 10) 300 Series stainless steel hardware
- 11) Heavy duty UV rated nylatron wheels

## OPTIONS

- 3450 rpm High speed motors with covers
- Aluminum walkways
- Aluminum bunks (multiple styles)
- Custom bunking options
- Decked platforms
- Access boarding platform
- Cable keepers
- Remote with Auto-stop
- Anodized winders (salt buster package)
- Sea-wall & piling mounts
- Dual PWC jet ski set ups



Anti-Cable Shear Plate Patent: #10,189,685  
Cable Tie Off Bolt Patent: #6,719,241  
Sea-Drive® Patent: # 7,850,147



Golden is ISO Certified and follows the guidelines of the ISO 9001 standard.

Scan the QR code for warranty information

