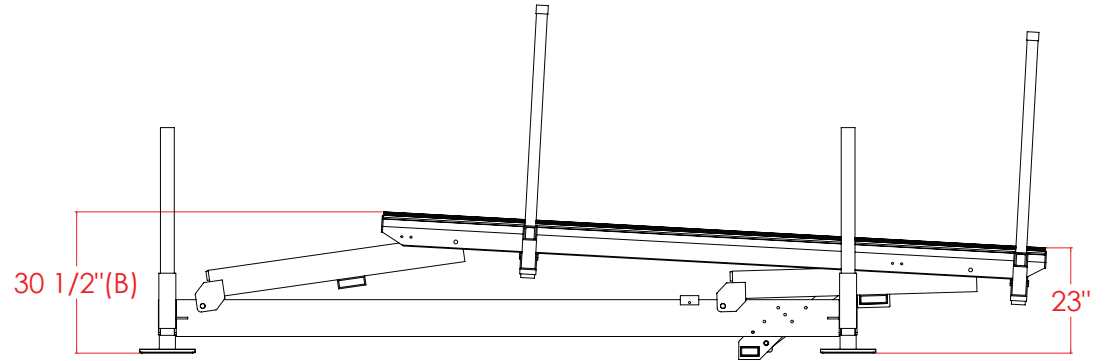
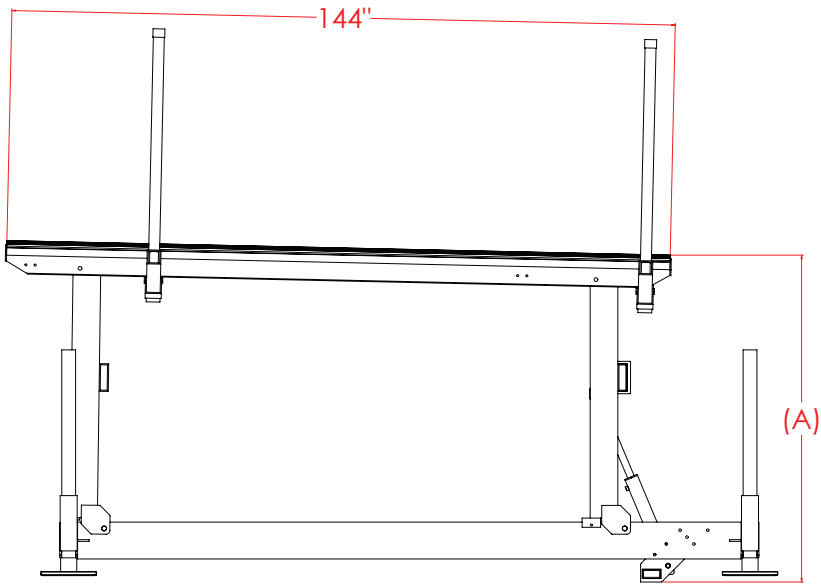


4,500 LB CAPACITY TORNADO® BOAT LIFT



VERTICAL LIFT:	48"	60"	72"
LIFT CAPACITY:	6,500 LBS	5,500 LBS	4,500 LBS
OVERALL HEIGHT (DIM A):	71"	83"	95"
MINIMUM WATER DEPTH:	DIMENSION (B) + DRAFT OF VESSEL		
LEG LENGTH:	VARIABLE		
SHIP WEIGHT:	550 LBS		
SOLAR CHARGER:	28 WATTS		
REMOTE CONTROL:	INCLUDES 2 FOBS		
HYDRAULIC CYLINDERS:	STAINLESS STEEL		
STANDARD HOSE LENGTH:	30'		
SUBMERGED HOSE ENDS:	STAINLESS STEEL		
CONNECTING HARDWARE:	STAINLESS STEEL		

