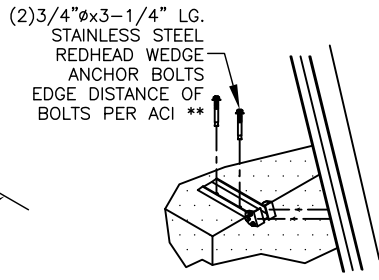
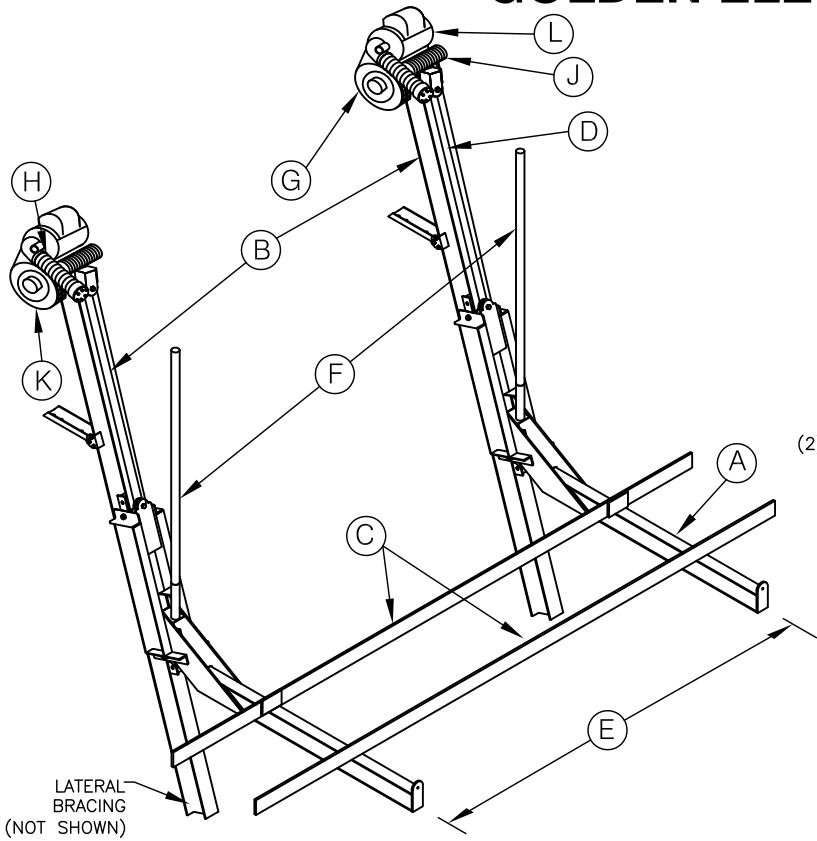
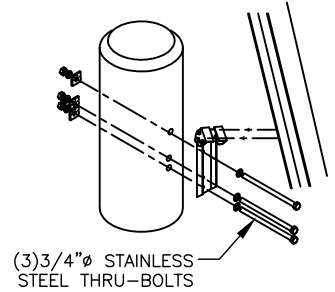


GOLDEN ELEVATOR LIFT



** ON 40K LIFT USE
(2) 1" DIA. x 4-1/2" EMBED

TYPICAL HORIZONTAL CONNECTION TO REINFORCED CONCRETE DOCK OR SEAWALL



TYPICAL VERTICAL CONNECTION TO WOOD PILE OR HORIZONTAL WOOD DECK FRAMING

INCLINE MOUNT OR VERTICAL MOUNT

NOTE: THIS STRUCTURE HAS BEEN DESIGNED FOR LOADS ASSOCIATED WITH AN ULTIMATE WIND SPEED OF 180 MPH, EXPOSURE "D", RISK CATEGORY I, CALCULATED PER FLORIDA BUILDING CODE 6th EDITION, 2017, ASCE/SEI 7-10 AND ADM-2015. BOATS SHALL NOT BE STORED ON LIFTS DURING HIGH WIND EVENTS. ALL PRIMARY STRUCTURAL MEMBERS ARE TO BE 6061-T6 ALUMINUM. TRACKS ARE TO BE DRIVEN TO FIRM BEARING MATERIAL AND SHALL BE ADEQUATELY BRACED AT NO MORE THAN 5 FT. O.C..

SUMMARY OF DESIGN FEATURES

	(A)	(B)	(C)	(D)	(E)	(F)	(G)	(H)	(J)	(K)	(L)	
LIFT CAPACITY	CRADLE I-BEAM	TRACK I-BEAM	BUNK BOARDS FEET	CABLE SIZE	TRACK SPREAD	GUIDE POST HEIGHT	BRGS	DRIVE SHAFT	WINDER DIA	GEAR RATIO	MOTOR HP/VOLTAGE	INCHES OF LIFT PER MIN.
3,000#	(2) 8 H x .23 5 W x .35 x 7' LG. @ 6.18#/FT	(2) 8 H x .23 5 W x .35 x 25' LG. @ 6.18#/FT	(2) 2 x 8 ROUGH SAWN CARPETED	(2) 5/16" ϕ x 30' S.S. 2 PART	7' THRU 10'	80"	(4) 2" EXTRUDED 6061-T6 ALUM	(2) 1,900" O.D. x 1.148" WALL GALVANIZED HSS	FLAT PLATE DRIVE: 3" ϕ O.D. X 1.99" I.D. SEA DRIVE: 3.5" ϕ O.D. X 1.99" I.D.	480:1	(2) 3/4 HP 120V/20A 240V/10A	13-1/2"
5,000# & 7,000#	(2) 8 H x .25 5 W x .41 x 8' LG. @ 7.02#/FT	(2) 8 H x .25 5 W x .41 x 25' LG. @ 7.02#/FT		(2) 5/16" ϕ x 30' S.S. 2 PART	8' THRU 11'						(2) 3/4 HP 120V/20A 240V/10A	
10,000#	(2) 9 H x .27 5.5 W x .44 x 8' LG. @ 8.36#/FT	(2) 9 H x .27 5.5 W x .44 x 25' LG. @ 8.36#/FT		(2) 3/8" ϕ x 30' S.S. 2 PART							(2) 3/4 HP 120V/20A 240V/10A	
12,000#	(2) 10 H x .25 6 W x .41 x 8' LG. @ 8.65#/FT	(2) 10 H x .25 6 W x .41 x 25' LG. @ 8.65#/FT	(2) 3 x 10 ROUGH SAWN CARPETED	(2) 3/8" ϕ x 38' S.S. 3 PART	120"	120"	(4) 2" EXTRUDED 6061-T6 ALUM	(2) 1,900" O.D. x 1.165" WALL GALVANIZED HSS	FLAT PLATE DRIVE: 3" ϕ O.D. X 1.99" I.D. SEA DRIVE: 3.5" ϕ O.D. X 1.99" I.D.	480:1	(2) 3/4 HP 120V/20A 240V/10A	9"
15,000#	(2) 10 H x .29 6 W x .50 x 8' LG. @ 10.3#/FT	(2) 10 H x .29 6 W x .50 x 25' LG. @ 10.3#/FT		(2) 3/8" ϕ x 56' S.S. 4 PART							(2) 1 HP 120V/20A 240V/10A	
17,000#	(2) 12 H x .29 7 W x .47 x 10' LG. @ 11.7#/FT	(2) 12 H x .29 7 W x .47 x 25' LG. @ 11.7#/FT		(2) 3/8" ϕ x 56' S.S. 4 PART							(2) 1 HP 120V/20A 240V/10A	
20,000#	(2) 12 H x .31 7 W x .62 x 11' LG. @ 14.3#/FT	(2) 12 H x .31 7 W x .62 x 25' LG. @ 14.3#/FT	(2) 10 H x .25 6 W x .41 x 20' LG. CAPPED W/ WOOD & CARPET	(2) 7/16" ϕ x 60' S.S. 4 PART	10' THRU 16'	16'	(6) 2" EXTRUDED 6061-T6 ALUM	(2) 1,900" O.D. x 1.165" WALL GALVANIZED HSS	FLAT PLATE DRIVE: 3" ϕ O.D. X 1.99" I.D. SEA DRIVE: 3.5" ϕ O.D. X 1.99" I.D.	500:1	(2) 1 HP 120V/20A 240V/10A	6.75"
24,000#	(4) 10 H x .29 6 W x .50 x 10' LG. @ 10.3#/FT	(4) 10 H x .29 6 W x .50 x 25' LG. @ 10.3#/FT		(2) 1/2" ϕ x 68' S.S. 4 PART							(2) 1.5 HP 120V/20A 240V/10A	
30,000#	(4) 12 H x .31 7 W x .62 x 11' LG. @ 14.3#/FT	(4) 12 H x .31 7 W x .62 x 25' LG. @ 14.3#/FT		(2) 1/2" ϕ x 68' S.S. 4 PART							(2) 1.5 HP 120V/20A 240V/10A	
40,000#											(2) 1.5 HP 120V/20A 240V/10A	6.5"