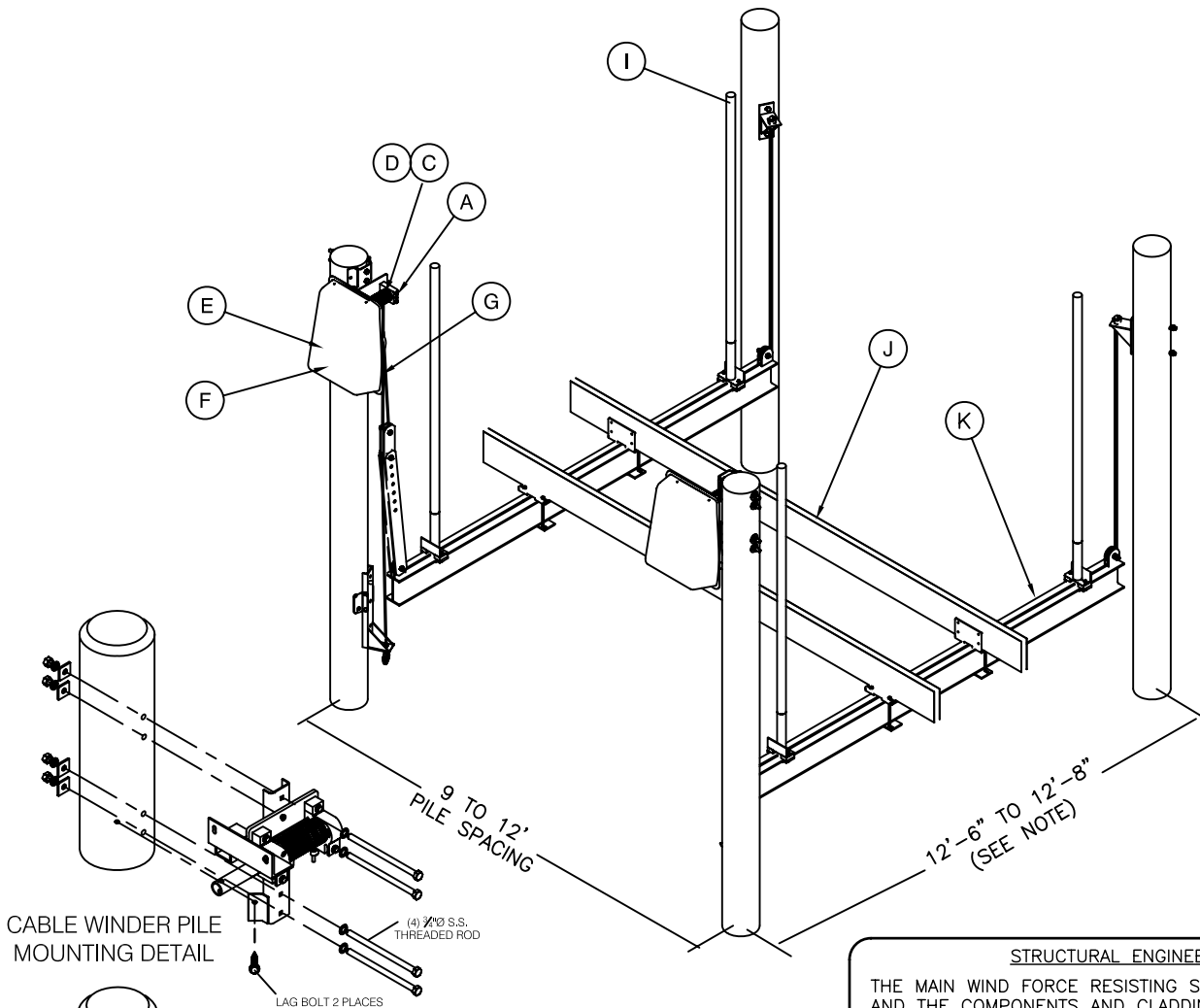
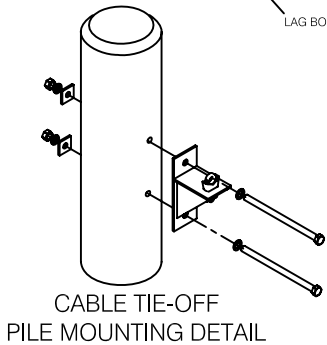


GATORVATOR 4 POST, 2 MOTOR LIFT



CABLE WINDER PILE MOUNTING DETAIL



NOTES:
 IN GENERAL, PILING PENETRATION TO BE 10' INTO THE SAND BOTTOM OR 5' INTO THE ROCK STRATA. SUB-SURFACE CONDITIONS CAN VARY GREATLY, THE CONTRACTOR SHALL VERIFY ALL PILE CAPACITIES. ALL PILINGS TO BE 2.5 C.C.A. TREATED
 CRADLE LENGTHS TO BE 6" TO 8" SHORTER THAN THE CENTER TO CENTER MEASUREMENT OF THE PILINGS

STRUCTURAL ENGINEERING REVIEW

THE MAIN WIND FORCE RESISTING SYSTEM, FOR THIS STRUCTURE, AND THE COMPONENTS AND CLADDING HAVE BEEN SELECTED AND THEIR USE INCORPORATED INTO THIS DESIGN AND SPECIFICATIONS IN ACCORDANCE AND COMPLIANCE WITH THE FLORIDA BUILDING CODE 2004 EDITION, WITH 2006 REVISIONS AND SECTION 1609 & 1612, ANSI/ASCE 7-02, "MINIMUM DESIGN LOADS FOR BUILDINGS AND OTHER STRUCTURES." TO WITHSTAND THE WIND LOADS ASSOCIATED WITH A BASIC WIND SPEED OF 150 MPH.

Richard W. Arnold
 Reg. Florida No.19334

Date:

Arnold/Sanders Consulting Engineering, Inc.
 Certificate of Authorization 9451
 16681 McGregor Blvd. Suite 102, Ft. Myers, FL 33908
 239-267-3666 Fax:239-267-2771
 SIGNATURE NOT VALID WITHOUT RAISED SEAL

NOTE: THIS STRUCTURE WILL WITHSTAND WIND LOADS ASSOCIATED WITH WIND SPEEDS OF 150 MPH CALCULATED PER F.B.C.(04 ED) CH. 16 & ASCE-7-02. BOATS SHALL NOT BE STORED ON LIFT DURING HIGH WIND EVENTS.

(A) (B) (C) (D) (E) (F) (G) (H) (I) (J) (K)

LIFT CAPACITY		NO. OF BRGS	CABLE CONFIG.	GROOVED WINDERS		DRIVE SHAFT		DRIVE RATIO	NO. OF MOTORS & H.P.	LIFTING CABLE		LIFT PER MIN.		GUIDE POST HGTH		BOAT BUNK	CRDL BM/ "I" BM SIZE	Recomm.Min Piling Sizes
LBS.	KG.			IN.	MM	IN.	MM			IN.	MM	IN.	MM	IN.	M			
7,000	3,175	4	2 PART	3.5 ϕ X 8"	88.9 X 203.2	1.93 ϕ . SCH 80 PIPE	49 ϕ .mm SCH 80 PIPE	96:1	(2) 3/4 HP	(2) .3125 ϕ	16.0	406	80"	2.03	2x8 X 144	6x .21 H 4 x .35 W 144"LGTH	8" ϕ	
10,000	4,535			3.5 ϕ X 10"	88.9 X 254					(2) .3875 ϕ								
14,000	6,350			3.5 ϕ X 12"	88.9 X 304.8					(2) .4375 ϕ								
16,000	7,258			3.5 ϕ X 14"	88.9 X 355.6					(2) .500 ϕ								3x10 X 168