



When It's Done Right...It's Golden!

32K, 40K, 56K 8 POST 4 MOTOR OWNERS MANUAL



17611 East Street, North Fort Myers, FL 33917

TF: 888-909-5438 ☎ PH: 239-337-4141 ☎ FAX: 239-337-4482 ☎ www.goldenboatlifts.com

DEALER _____ INSTALLATION DATE _____
OWNER'S NAME _____
SERIAL NUMBER _____

CONGRATULATIONS ON YOUR PURCHASE OF A GOLDEN 8 POST, 4 MOTOR LIFT!

We appreciate your business and want you to know that you have purchased the finest boat lift on the market today.

This owner's manual is designed to provide vital information on safety, operation and maintenance of your new lift.

WHEN IT'S DONE RIGHT... IT'S GOLDEN!



CAUTION: READ OPERATING INSTRUCTIONS CAREFULLY!

Precautions Before Operating The Lift System

- Never leave the lift unattended while in operation.
- Be sure the boat stays level when raising or lowering the boat.
- Do not run the cradles down allowing the cables to slack.
- If the cables go slack be sure to realign and tighten the cables before lifting the boat.
- Keep hands clear of moving parts.
- Do not exceed the rated capacity.
- Boat lifts are not intended for lifting humans.
- Do not operate the boat lift without a G.F.C.I.
- The lift **MUST** be wired by a licensed electrician.
- Inspect and lubricate all grease fittings periodically.
- Inspect the cables before each use.
- The boat lift must be operated by an adult.
- Be sure the center of gravity of your boat is in the center of the lift.
- Do not operate the lift without the protective covers in place.
- **DO NOT WORK ON YOUR BOAT OR GO UNDER IT WHEN THE BOAT IS ON THE LIFT.**
- **NOTE:**
 - (1) The boat lift cradles must be lowered to a point that is below the draft of the boat before you drive the boat over the boat lift cradle.
 - (2) When you raise the boat lift you must raise the cradle up far enough so the cradle is away from the highest point of water may reach.

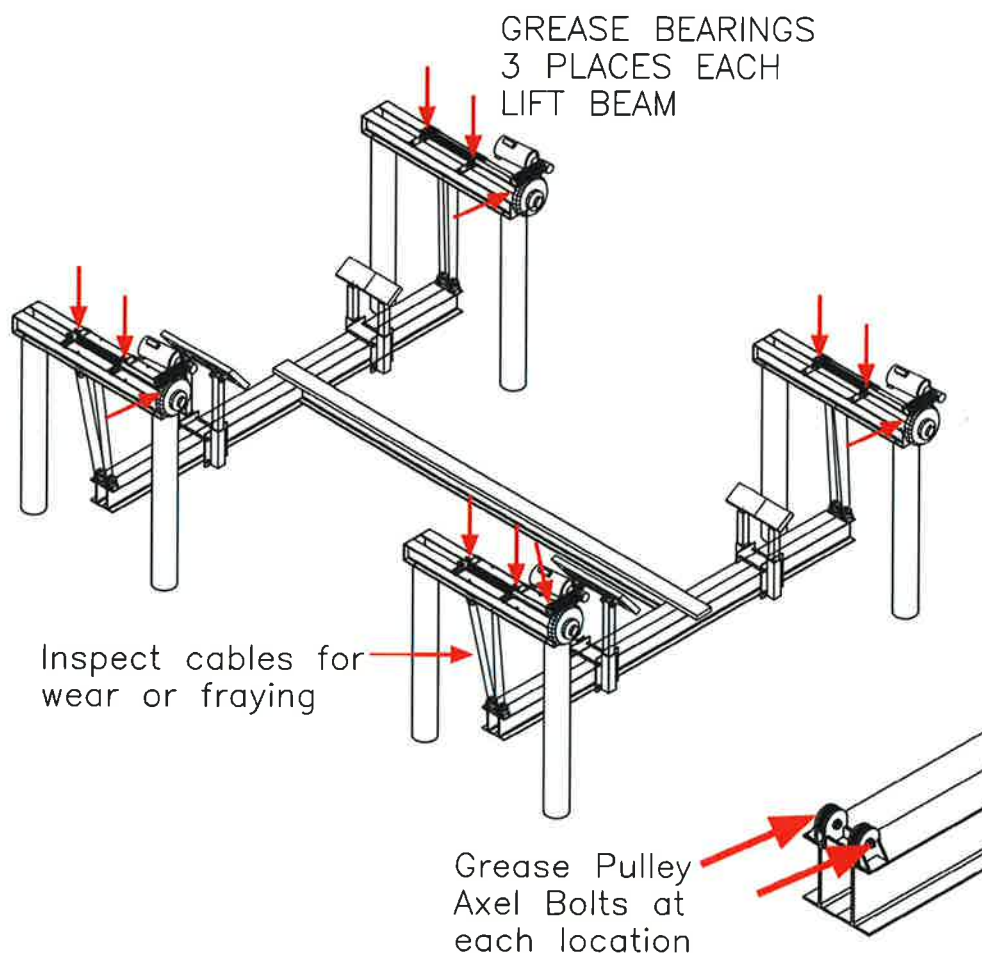
YOU MUST COMPLY WITH THE WARNINGS TO PREVENT INJURY TO A PERSON OR DAMAGE TO YOUR BOAT.



17611 East Street, North Fort Myers, FL 33917

TF: 888-909-5438 PH: 239-337-4141 FAX: 239-337-4482 www.goldenboatlifts.com

BOAT LIFT MAINTENANCE



1. Grease all fittings with high temperature (550), water resistant, high impact grease.
2. Inspect all stainless steel cable for fraying, kinking. It is helpful to take a soft cotton cloth and rub down the cables where they experience both the winder and the pulley. The cloth will catch on any broken fibers.
3. Inspect all electrical components and wiring. Replace if damaged or worn.
4. Rinse all cables, pulleys and submersible parts with fresh water after use.

Under no circumstances will warranty coverage extend to damage caused by ELECTROLYSIS. Keep the lift's electrical connection off when not in use.

GOLDEN
Boat Lifts

17611 East Street, North Fort Myers, FL 33917

TF: 888-909-5438



PH: 239-337-4141



FAX: 239-337-4482



www.goldenboatlifts.com

WEIGHT DISTRIBUTION

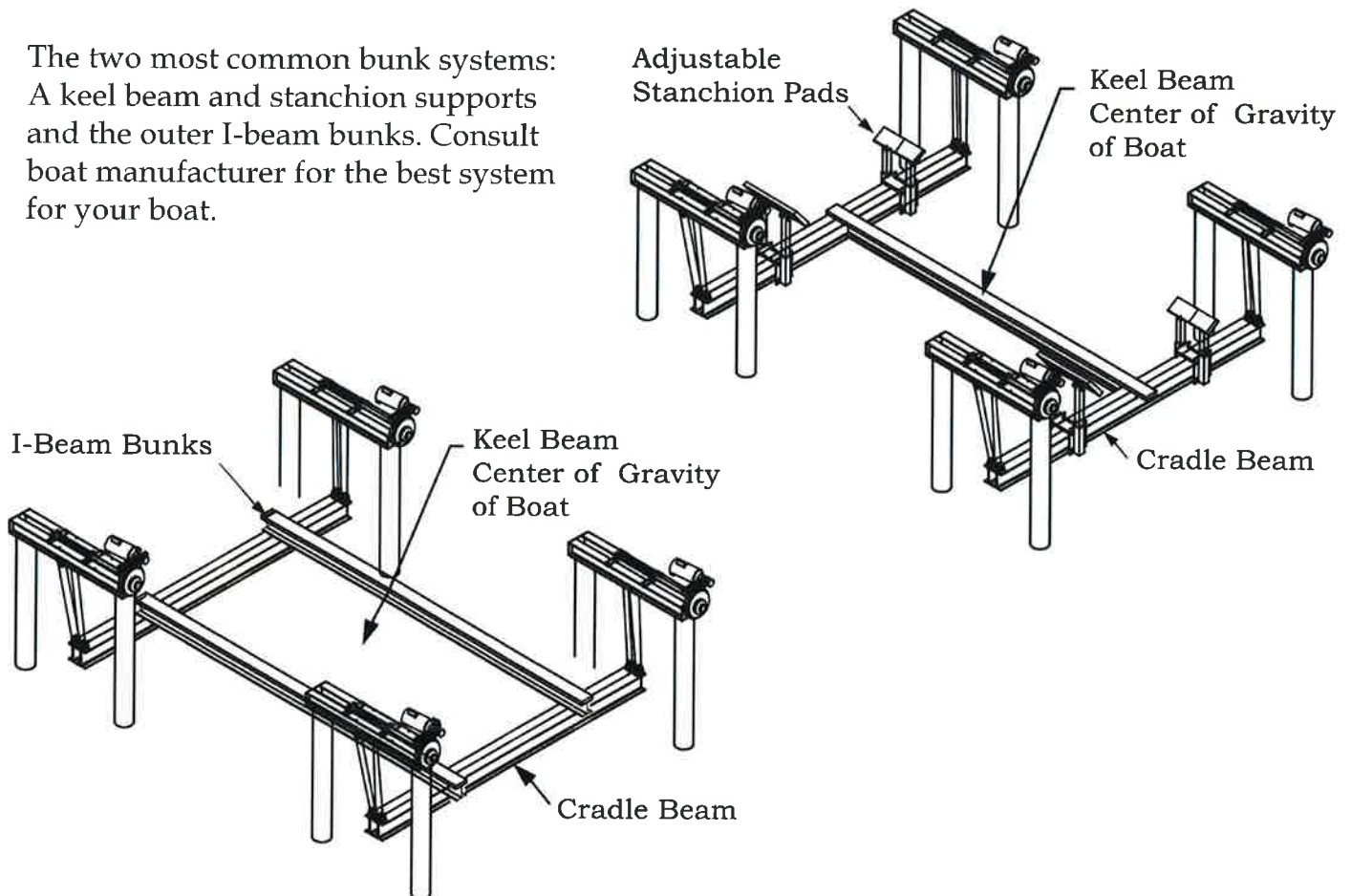
The weight of your boat must be equally distributed on the beams to ensure your safety, the boat hull and longevity of the lift.

Always place the center of gravity of your boat directly in the CENTER of the lift beams.

Please consult your installer and boat manufacturer for proper bunking of the hull on the lift support equipment.

See the illustration below for further instructions on loading your boat.

The two most common bunk systems:
A keel beam and stanchion supports
and the outer I-beam bunks. Consult
boat manufacturer for the best system
for your boat.



GOLDEN
Boat Lifts

17611 East Street, North Fort Myers, FL 33917

TF: 888-909-5438 PH: 239-337-4141 FAX: 239-337-4482 www.goldenboatlifts.com

GENERAL INFORMATION

Golden Boat Lifts, Inc. Warranty is the longest and most comprehensive warranty in the industry. Our lift is simple to maintain and the most reliable lift in the industry. We are very proud of our product. Golden Manufacturing asks that you grease the easily accessed fittings and check the cables. All other components are maintenance free.

The electrical controls and optional remote control information is covered in the electrical control Manufacturer's information package. You may consult their website for additional information covering their product.

If your lift has an optional Auto-Stop the installer will make adjustments at the time of the installation. However, if additional adjustments are required we recommend having this done professionally.

ACCESSORIES FOR YOUR LIFT

- Walkways and board platforms
- Top beam covers
- Platforms
- Accent LED lighting
- Walkway steps
- Cable Keeper cable extension device
- Motor covers

Consult our website: Goldenboatlifts.com for the latest information and accessories.

Enjoy The Golden Experience!



17611 East Street, North Fort Myers, FL 33917

TF: 888-909-5438 PH: 239-337-4141 FAX: 239-337-4482 www.goldenboatlifts.com